



TEST REPORT: 4791224070.1

APPLICANT

Name: Pineapple Contracts Unlimited
Address: Westmead
 Aylesford, ME20 6XJ
 United Kingdom

Product: Harby 2-door wardrobe



DATE

Sample in:	22/4/2024	(dd/mm/yyyy)
Tests start:	22/4/2024	(dd/mm/yyyy)
Tests end:	13/5/2024	(dd/mm/yyyy)
Report issue:	13/5/2024	(dd/mm/yyyy)

OVERALL DIMENSIONS:

Measured:	Depth:	600 mm;	Height:	1802 mm
	Width:	874 mm	Weight:	50.2 kg
Nominal:	Depth:	ND;	Height:	ND;
	Width:	ND;	Weight:	ND;

Sample number 6986511 **Order Number:** 15205257

REFERENCE STANDARD

ANSI/BIFMA X5.9:2019 Storage Units

NOTE: clauses considered as not applicable to the product are not listed in this report.

Sample defects before the test: NO VISIBLE DEFECTS

Tests have been performed at a temperature of 21 ± 2 °C

The tests have been performed on 1 sample (s) as requested by the customer

The sample is classified as Type: I

Technician
 Marco Tita

Laboratory Manager
 Matteo Longoni

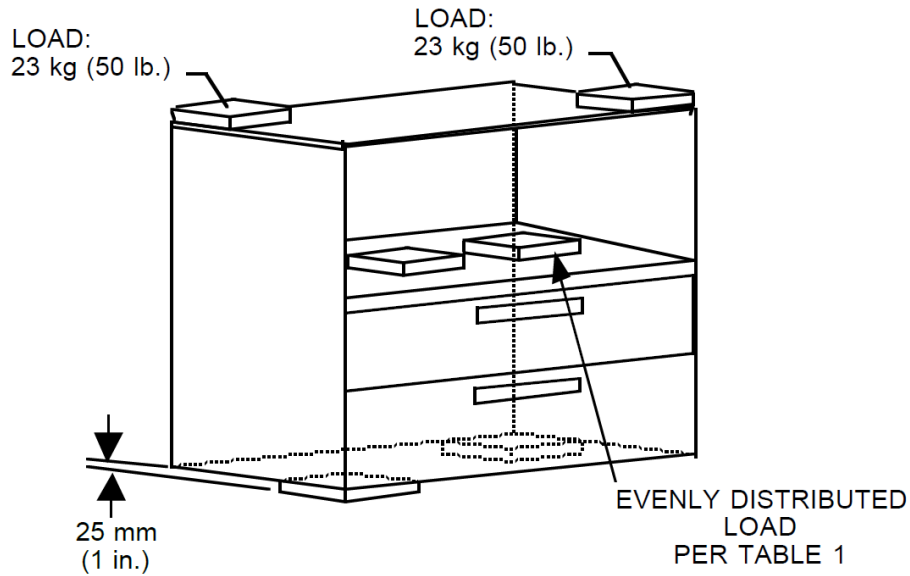
*Note: any copy, even partial, of this report, and any change or alteration to it are strictly forbidden.
 The test results listed in this report are relevant only for the tested sample. Sampling performed by the customer.*

TEST REPORT: 4791224070.1

Issued on: 13/5/2024

6 Racking Resistance Test

This test does not apply to Type II



Total load applied (kg)	Time of test (minutes)	Force required to extract the extendible elements (N)	Rating
Shelf 47.2 Bottom 46.9 Clothes rail: 24.9	60	-	P

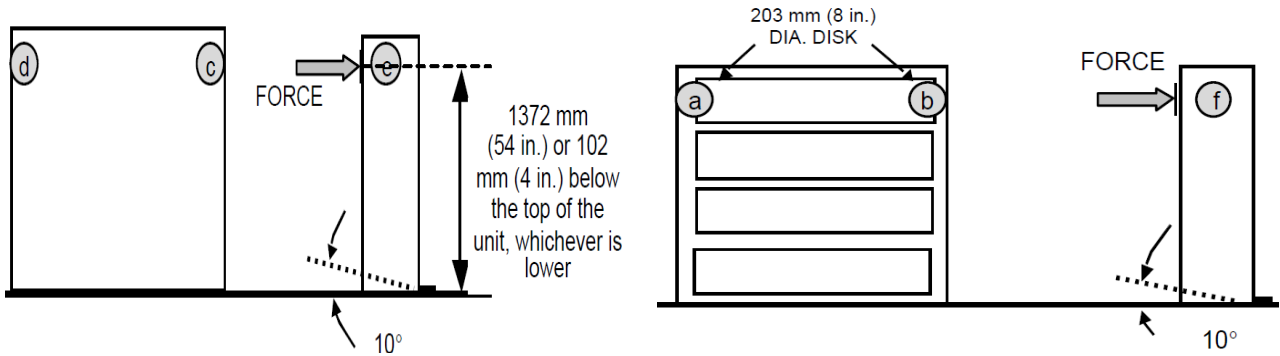
Note:

TEST REPORT: 4791224070.1

Issued on: 13/5/2024

9 Stability Tests

9.2 Horizontal Force Stability Test for Storage Units without Extendible Elements



Height from the floor: 1802 mm

Load applied on the lowest storage component (kg) [105 kg/m ²]	Impact location	Horizontal force (applied with Ø 203 mm) (N)	Height of the force from the floor (mm)	Test conclusion	Rating
Bottom=46.9	Front – Left	177	1372	-	NA
	Front – Right	177	1372	-	NA
	Back – Left	177	1372	-	NA
	Back – Right	177	1372	-	NA
	Left side	177	1372	Force reached	P
	Right side	177	1372	Force reached	P

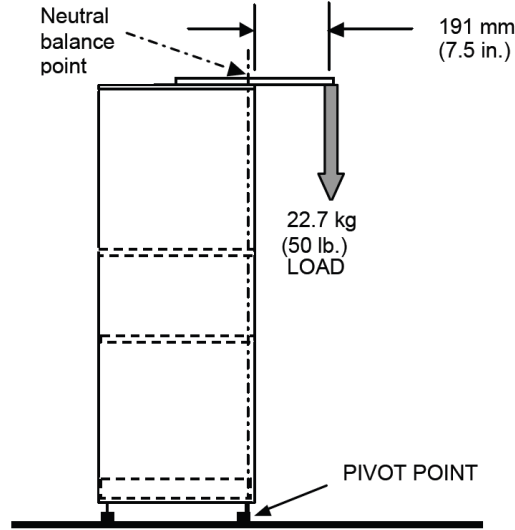
Note:



TEST REPORT: 4791224070.1

Issued on: 13/5/2024

9.6 Vertical Force Stability Test for Storage Units



Vertical force applied (kg)	Rating
22.7	P

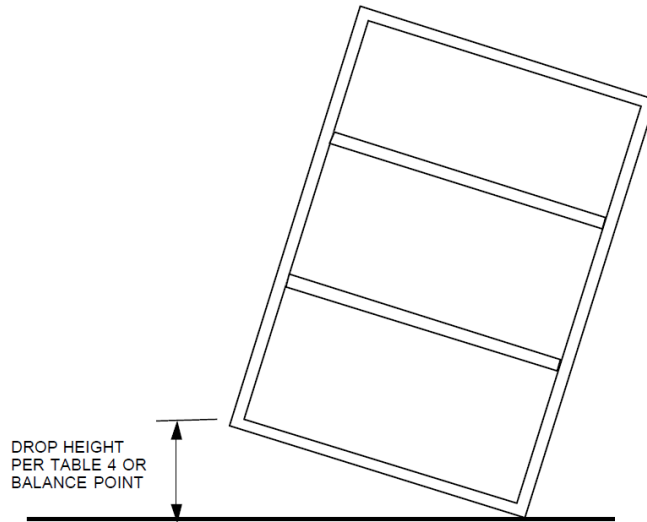
Note:



TEST REPORT: 4791224070.1

Issued on: 13/5/2024

10 Storage Unit Drop Test



Length of sample: 874 mm

Weight of sample: 50.2 kg

Weight of sample (kg)	Drop height (mm)	N° cycle	Force required to extract the extendible elements (N)	Rating
< 45	180	1 + 1	-	NA
45 - 90	120	1 + 1	-	P
> 90 – 136	60	1 + 1	-	NA
> 136	-	-	-	NA

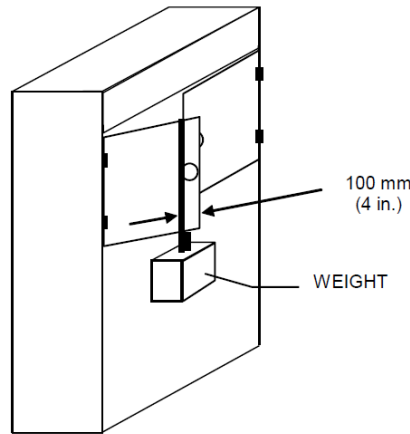
Note: Force required to extract the extendible elements is not greater than 50 N.

TEST REPORT: 4791224070.1

Issued on: 13/5/2024

17 Door Tests

17.2 Strength Test for Vertically Hinged Doors, Bi-fold Doors and Vertically Receding Doors

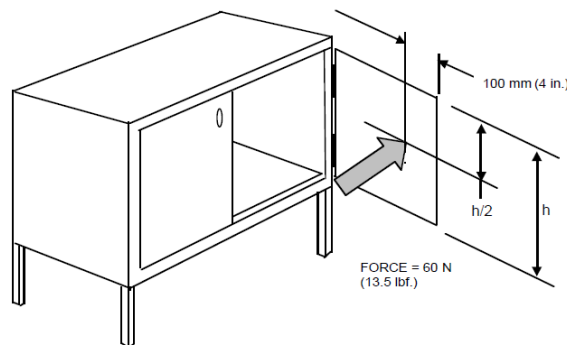


Door height: 1673 mm

Vertically Hinged Doors				
Door height (mm)	Load applied on the door [kg]	Load point (mm)	Cycles	Rating
< 460	10	100	10	NA
> 460	20	100	10	P

Note: Door opened from a position 45° from fully closed to a position 10° from fully open, up to a maximum of 135°.

17.3 Hinge Override Test for Vertically Hinged Doors



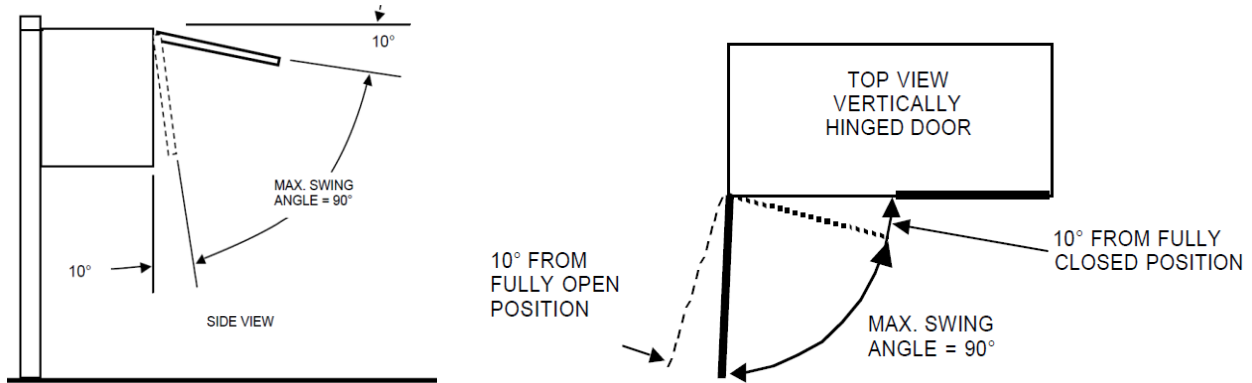
Horizontal force [N]	Load point	Cycles	Rating
60	100 mm from the edge farthest from the hinge	10	P

Note:

TEST REPORT: 4791224070.1

Issued on: 13/5/2024

17.6 Wear and Fatigue Tests for Hinged, Horizontally Sliding and Tambour Doors



Hinged or Tambour Doors

Center Pull - Single Side Pull

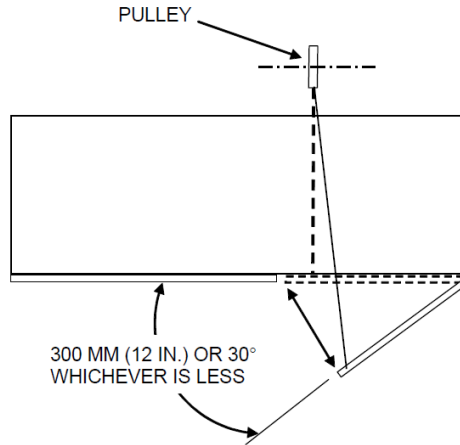
N° cycle	Frequency [cycles / minute]	Rating
20.000	10	P

Note: the test cycle consists at position 10 degrees from fully closed to a position 10 degrees from fully open, moreover the swing angle not to exceed to of 90 degrees

TEST REPORT: 4791224070.1

Issued on: 13/5/2024

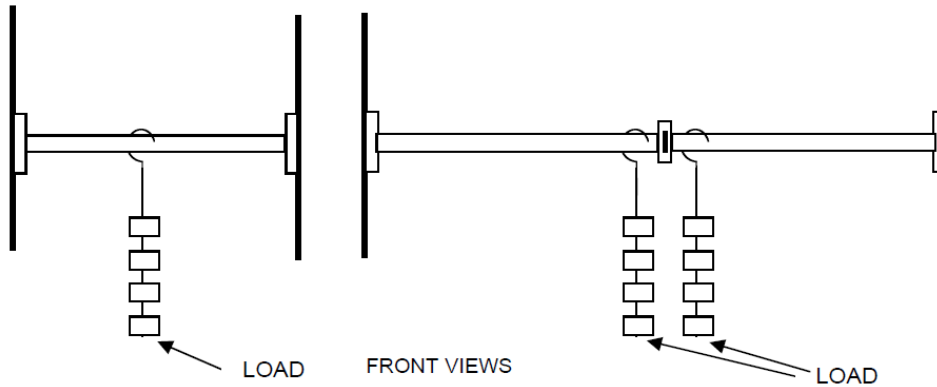
17.10 Slam Closed Test for Vertically Hinged and Vertically Receding Doors



Load applied on door (kg)	Weight to just move the door [kg]	Addition weight [kg]	Test weight	N° cycle	Rating
-	0.4	2.0	2.4	10	P

Note: The load is determined according to table 1.

18 Clothes Rail Static Loading Test



Load applied (kg)	Time of test (minute)	Rating
24.9	60	P

Note: The load is determined according to table 1.



TEST REPORT: 4791224070.1

Issued on: 13/5/2024

Key:

- P** = PASS, the sample MEETS the standard requirement.
- F** = FAIL, the sample DOES NOT MEET the standard requirement.
- NA** = NON APPLICABLE, the requirement/test IS NOT APPLICABLE to the sample.
- NR** = NOT REQUESTED, On Customer request the test is NOT PERFORMED.
- NP** = General note (see details).
- ND** = NOT DECLARED.
- //** = The rating of test CANNOT BE EXPRESSED, see details in test report

FINE RAPPORTO / END OF TEST REPORT