



KEY FEATURES

- Standard reinforcement provides strength and durability
- Wrap-around design of the seat back gives great comfort and support
- 18.9" seat height designed to help reduced mobility
- Fixed seat cushion to deter misuse



MATERIAL/FABRICATION

Expanding our seating range with an update on our popular Eclipse range. Our Purl range offers standard reinforcement for strength and durability, also a fixed seat cushion to deter misuse. 18.9" seat height has been designed to help those with reduced mobility. Fixed upholstered cushioned seat is made from fire retardant, CMHR (combustion modified high resilience) foam is safe for both users and staff. Chrome metal feet (height: 4.7") gives the range a modern and clean appearance.

TEST STANDARDS

- Strength and stability tested to BS EN 16139:2013 (Test level 2 - general use)
- Fabrics fire retardancy - BS 7176:2007 Source 5

OPTIONS

- Also available in a Purl Plus range
- Also available as Purl low back armchair (see below)
- Purl footstool is available (see below)

1PUL1-100
34.3H | 27.6W | 30.7D (mm)
Seat Height: 480mm
Weight: 25kg



1PUS-100
16.5H | 19.7W | 17.7D (mm)
Weight: 7.5kg



FINISH

Chrome metal feet finish

FABRICS

Available in a wide choice of fabrics including Vinyl, Waterproof, Non Waterproof and Leather

ASSEMBLY

Arrives assembled and ready to use

DELIVERY

Leadtime approx 8 weeks

INSTALLATION/FITTING

No fitting required

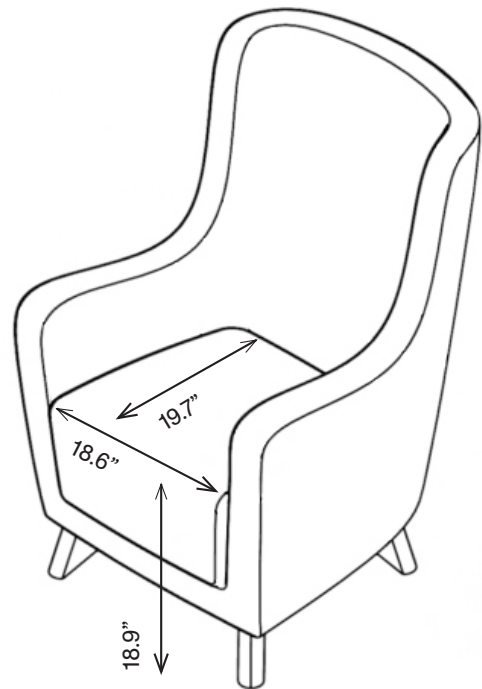
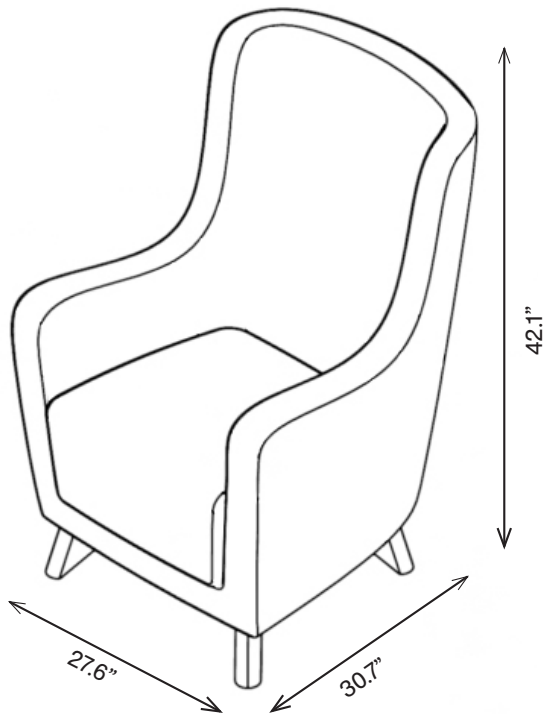
MAINTENANCE

See our care guidelines for more information <https://us.pineapplecontracts.com/upholstery/care-guidance/>

WARRANTY

5 year guarantee (does not include fabrics)

PURL HIGH BACK ARMCHAIR



T
E
W

+800.496.9324
inquiries@pineapplecontracts.com
us.pineapplecontracts.com

Pineapple