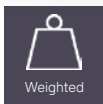
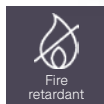


# PURL HIGH BACK LOVESEAT

1PUH2-100  
42.1"H | 46.9"W | 30.7"D  
Seat Height: 18.9"  
Weight: 84.9 lbs.



## KEY FEATURES

- Strong plywood frame with additional reinforcement ensures maximum strength
- Wrap-around design of the seat back gives great comfort and support for users
- Seat height designed to help those with reduced mobility



## MATERIAL/FABRICATION

Additional weight and reinforcement, no piping or buttons and has an enclosed base. Security screws, non-accessible staples to deter misuse, and other features include a fixed seat cushion, to prevent concealment. The seat height has been increased to help elderly and vulnerable users in and out of the chair easily. Fixed upholstered cushioned seat made from fire retardant, CMHR (combustion modified high resilience) foam is safe for both users and staff. Chrome metal feet give the range a modern and clean appearance. Interior made from fire retardant, CMHR foam is safe for both users and staff. All fabric is fire retardant to CAL TB 116, 117 & NFPA 260 USA

## TEST STANDARDS

- Fire retardant to BS7176:2007 source 5
- Strength and stability tested to BS EN 16139:2013 (seat and back durability tested for 200,000 cycles)

## OPTIONS

- Also available in a Purl Plus range
- Also available as Purl low back loveseat (see below)
- Purl ottoman is available (see below)

1PUL2-100  
34.3H | 46.9W | 30.7D (in)



1PUS-100  
16.5H | 19.7W | 17.7D (in)



## COLOR/FINISH

Feet come in chrome or natural wood finish

## FABRIC

A wide choice of waterproof vinyls and fabrics

## ASSEMBLY

Arrives assembled and ready to use

## INSTALLATION/FITTING

No fitting required

## MAINTENANCE

See upholstered furniture section of our online care guidelines

## WARRANTY

7 year guarantee (does not include fabrics)

T  
E  
W

800.496.9324  
inquiries@pineapplecontracts.com  
us.pineapplecontracts.com

# Pineapple

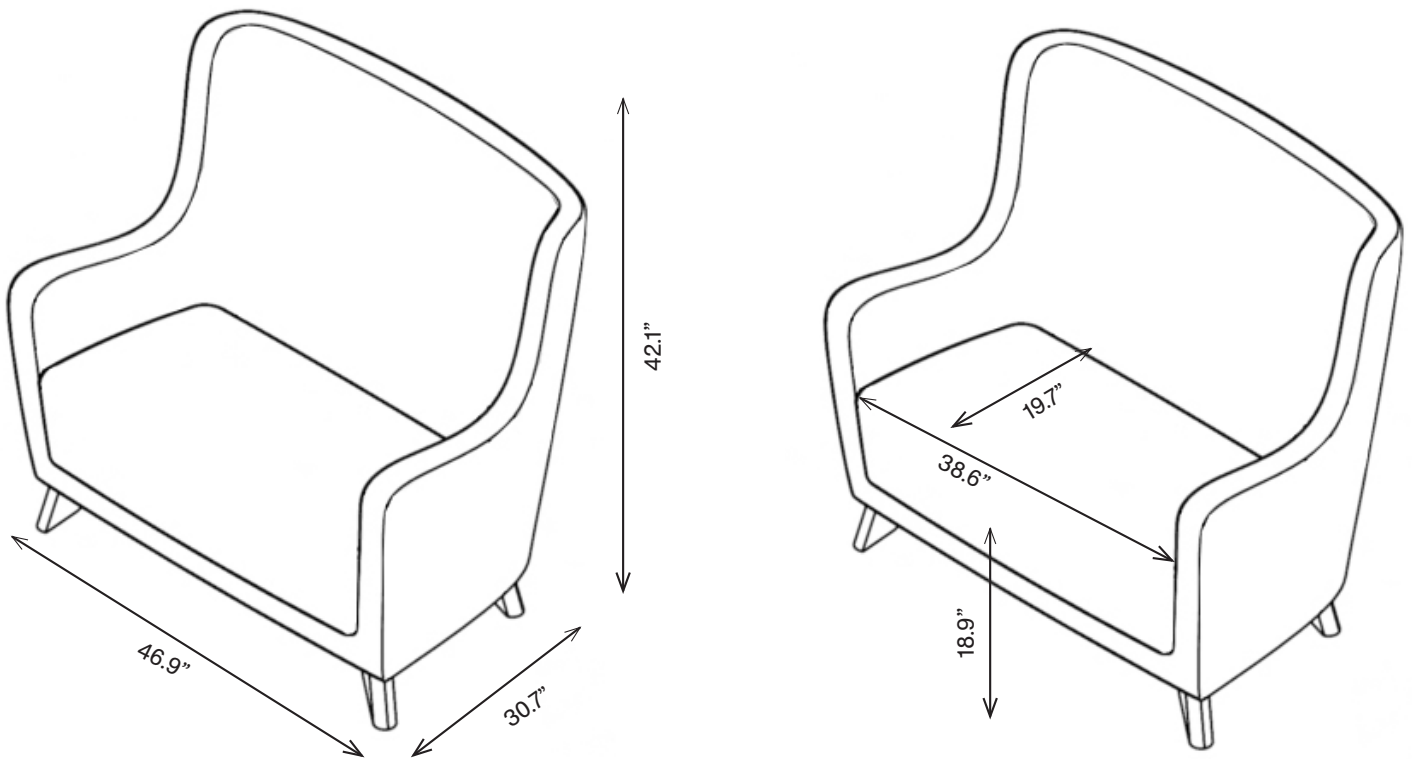
## HIGH BACK LOVESEAT

1PUH2-100

42.1"H | 46.9"W | 30.7"D

Seat Height: 18.9"

Weight: 84.9 lbs.



T  
E  
W

800.496.9324

[inquiries@pineapplecontracts.com](mailto:inquiries@pineapplecontracts.com)

[us.pineapplecontracts.com](http://us.pineapplecontracts.com)