

PURL LOW BACK ARMCHAIR

1PUL1-100
34.3"H | 27.6"W | 30.7"D
Seat Height: 18.9"
Weight: 55 lbs.



KEY FEATURES

- Strong plywood frame with additional reinforcement ensures maximum strength
- Wrap-around design of the seat back gives great comfort and support for users
- Seat height designed to help those with reduced mobility



MATERIAL/FABRICATION

Additional weight and reinforcement, no piping or buttons and has an enclosed base. Security screws, non-accessible staples to deter misuse, and other features include a fixed seat cushion, to prevent concealment. The seat height has been increased to help elderly and vulnerable users in and out of the chair easily. Fixed upholstered cushioned seat made from fire retardant, CMHR (combustion modified high resilience) foam is safe for both users and staff. Chrome metal feet give the range a modern and clean appearance. Interior made from fire retardant, CMHR foam is safe for both users and staff. All fabric is fire retardant to CAL TB 116, 117 & NFPA 260 USA

TEST STANDARDS

- Fire retardant to BS7176:2007 source 5
- Strength and stability tested to BS EN 16139:2013 (seat and back durability tested for 200,000 cycles)

OPTIONS

- Also available in a Purl Plus range
- Also available as Purl high back armchair (see below)
- Purl footstool is available (see below)

1PUH1-100
42.1H | 27.6W | 30.7D (in)



1PUS-100
16.5H | 19.7W | 17.7D (in)



COLOR/FINISH

Feet come in chrome or natural wood finish

FABRIC

A wide choice of waterproof vinyls and fabrics

ASSEMBLY

Arrives assembled and ready to use

INSTALLATION/FITTING

No fitting required

MAINTENANCE

See upholstered furniture section of our online care guidelines

WARRANTY

7 year guarantee (does not include fabrics)

T

800.496.9324

E

inquiries@pineapplecontracts.com

W

us.pineapplecontracts.com

Pineapple

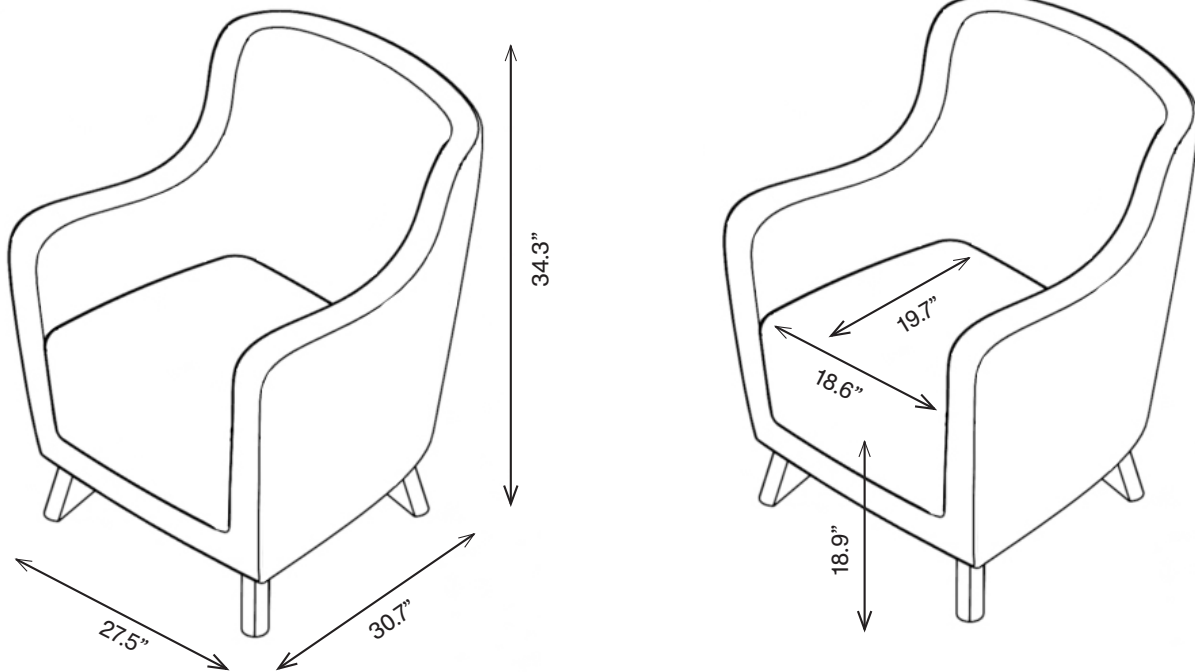
LOW BACK ARMCHAIR

1PUL1-100

34.3"H | 27.6"W | 30.7"D

Seat Height: 18.9"

Weight: 55 lbs.



T

800.496.9324

E

inquiries@pineapplecontracts.com

W

us.pineapplecontracts.com