

HELIX PLUS 3 SEATER

1HLX3-400

36.6"H | 78.7"W | 39.4"D

Seat height: 17.7"



KEY FEATURES

- Plywood reinforcement for added strength
- Wrap-around arm design provides comfort and support
- Fully enclosed base to prevent concealment



MATERIAL/FABRICATION

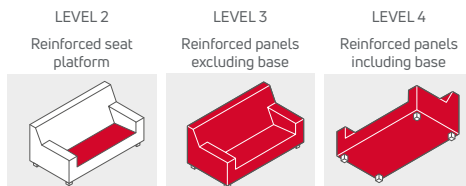
Carcase made from a mix of particle board and plywood with solid beech wood feet. Strong plywood reinforcement offers excellent levels of durability and strength. Removable seat and back cushions for easy cleaning. Cushioned areas made from fire retardant, CMHR (combustion modified high resilience) foam is safe for both users and staff

TEST STANDARDS

- Fire retardant to BS7176:2007 source 5
- Strength and stability tested to BS EN 16139:2013 (Level 2)

OPTIONS

- Also available as standard model



COLOR/FINISH

Feet available in Hickory

FABRIC

A wide choice of waterproof vinyls and fabrics

ASSEMBLY

Arrives assembled and ready to use

INSTALLATION/FITTING

No fitting required

MAINTENANCE

See upholstered furniture section of our online care guidelines

WARRANTY

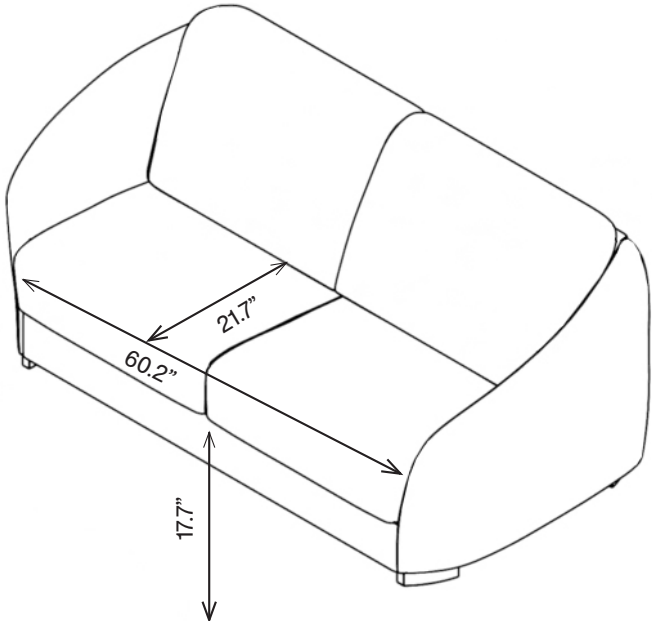
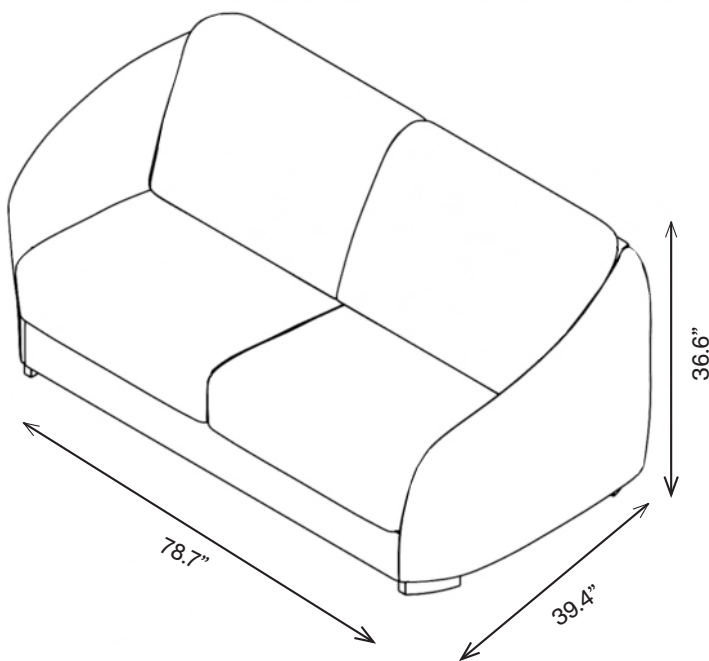
7 year guarantee (does not include fabrics)

HELIX PLUS 3 SEATER

1HLX3-400

36.6"H | 78.7"W | 39.4"D

Seat height: 17.7"



T
E
W

800.496.9324

inquiries@pineapplecontracts.com

us.pineapplecontracts.com

Pineapple