

# SIGMA PLUS TUB CHAIR

**1SIGP1-900**  
31.5"H | 31.5"W | 27.9"D  
Seat Height: 17.3"  
Weight: 79.4 lbs.



## KEY FEATURES

- Wrap-around design of the seat back gives great comfort and support for users
- Compact footprint helps you make the most of your available space
- Double top-stitched seams for strength and appearance
- Fixed seat cushion to prevent misuse
- Additional weight and safety features



### MATERIAL/FABRICATION

Additional weight and reinforcement, no piping or buttons and has an enclosed base. Security screws, non-accessible staples to deter misuse, and other features include a fixed seat cushion, to prevent concealment. Double top-stitched seams for strength and appearance. Fixed upholstered cushioned seat made from fire retardant, CMHR (combustion modified high resilience) foam is safe for both users and staff. Interior made from fire retardant, CMHR foam is safe for both users and staff. All fabric is fire retardant to CAL TB 116, 117 & NFPA 260 USA

### TEST STANDARDS

- Fire retardant to BS7176:2007 source 5
- Strength and stability tested to BS EN 16139:2013 (seat and back durability tested for 200,000 cycles)

### OPTIONS

- Also available in a standard Sigma range
- Available as Sigma Plus loveseat option (see below)

**1SIGP2-900**  
31.5"H | 53.1"W | 27.9"D (in)  
Seat Height: 17.3"  
Weight: 112.4 lbs.



### COLOR/FINISH

High impact black plastic feet as standard, secured via security screws

### FABRIC

A wide choice of waterproof vinyls and fabrics

### ASSEMBLY

Arrives assembled and ready to use

### INSTALLATION/FITTING

No fitting required

### MAINTENANCE

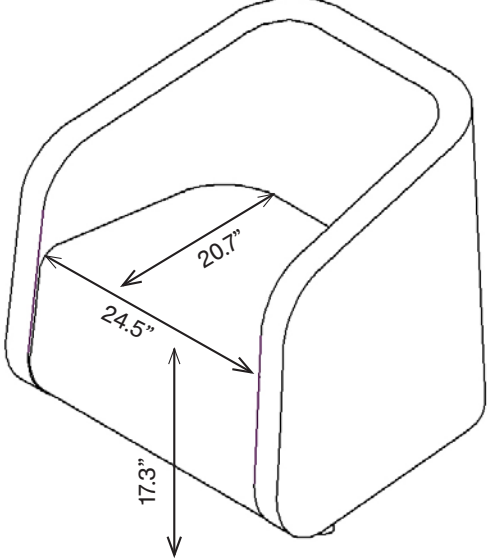
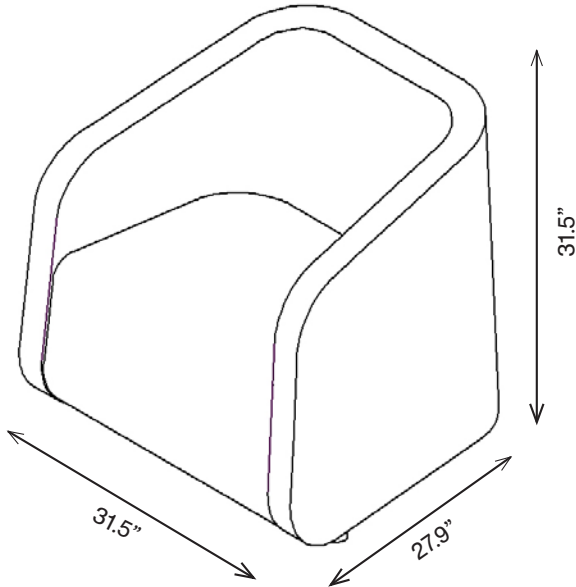
See upholstered furniture section of our online care guidelines

### WARRANTY

7 year guarantee (does not include fabrics)

# SIGMA PLUS TUB CHAIR

1SIGP1-900  
31.5"H | 31.5"W | 27.9"D  
Seat Height: 17.3"  
Weight: 79.4 lbs.



T  
E  
W

800.496.9324  
inquiries@pineapplecontracts.com  
us.pineapplecontracts.com

Pineapple