

KORGEN 2-SEATER

1KGG2

33.7"H | 42.6"W | 24.6"D

Seat Height: 17.7"

Weight: 57.3 lbs.



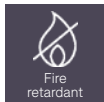
KEY FEATURES

- Extremely strong 1.8" powder-coated steel tube frame
- Totally water-resistant and UV-stabilized materials - perfect for outdoor use
- Anti-bacterial additive and tested for Coronavirus resistance
- No crevices for dirt to be trapped
- Moisture quickly evaporates after cleaning, ready for use

Seat colors (core): Seat colors (minimum order: 12 units)



Frame colors:



MATERIAL/FABRICATION

Korgen beam seating has a single-piece seat shell design, it has no seams or crevices in which dirt can be trapped. The space between seat shells is 1.4", to avoid injury. It's unique polymer blend features an anti-bacterial additive and has been tested for Coronavirus resistance. Designed with totally water-resistant and UV-stabilized materials, making it perfect for outdoor use. Moisture quickly evaporates after cleaning, ready for use and seats are made from 100% recyclable LDPE

TEST STANDARDS

- EN 581-1:2006 - Outdoor Furniture
- EN 581 Parts 1:2017 & 2:2015 (Contract Level)
- EN 1728:2012 Seat tested to withstand 699 lbs.
- Seat durability tested at 220 lbs. for 500,000 cycles

OPTIONS

- Armrests are sold separately and can be applied to one or both sides of the frame (1KG1-ARM)
- Optional fixed table available for 1 and 2-Seaters
- Available with floor fixing kit for additional security
- Korgen is available as a 1, 2 or 3-Seater

COLOR/FINISH

Choose from 2 frame colors (Moonwalk, Black). Choose from 2 core seat colors (Moonwalk, Black), or 8 other non-core colors (Cool Green, Icon Purple, Vegas Yellow, Thunder Gray, Lime, Epic Blue, Blaze Orange, Granite)

ASSEMBLY

Arrives assembled and ready to use

INSTALLATION/FITTING

Floor fixing is advisable for challenging environments - please specify at order stage if a floor-fixing kit is required

WARRANTY AND MAINTENANCE

5 year guarantee (does not include fabrics). Visit our care guidance section on our website for more details <https://us.pineapplecontracts.com/upholstery/care-guidance/>

T

800.496.9324

E

inquiries@pineapplecontracts.com

W

us.pineapplecontracts.com

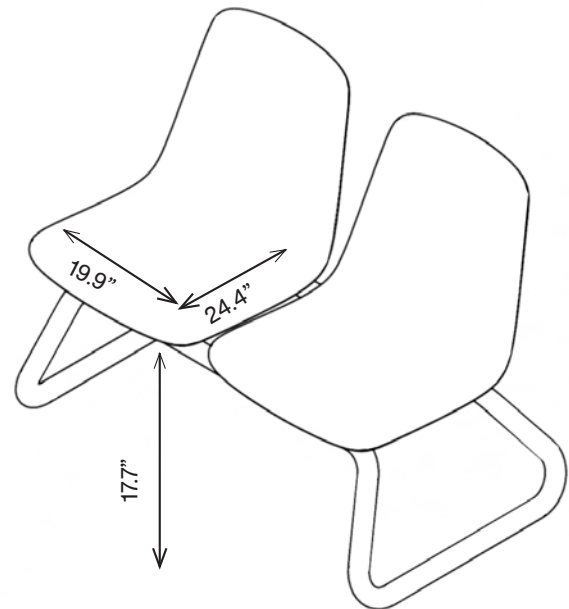
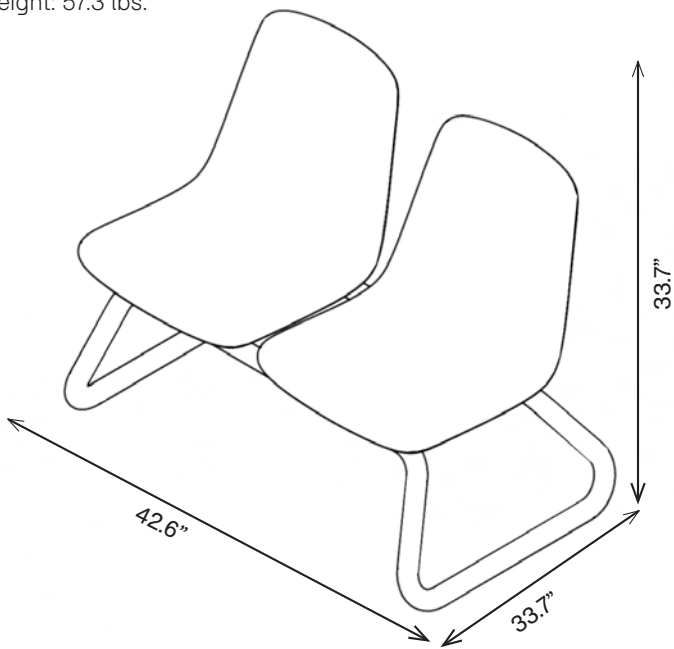
Pineapple

KORGEN 2-SEATER

1KGG2

33.7"H | 42.6"W | 24.6"D

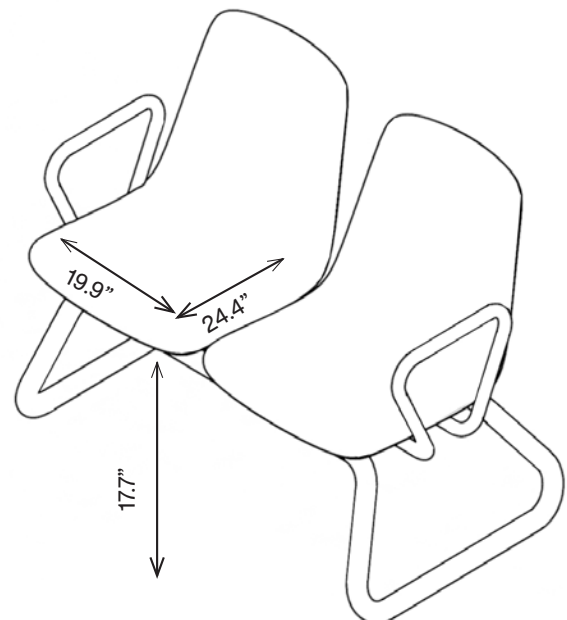
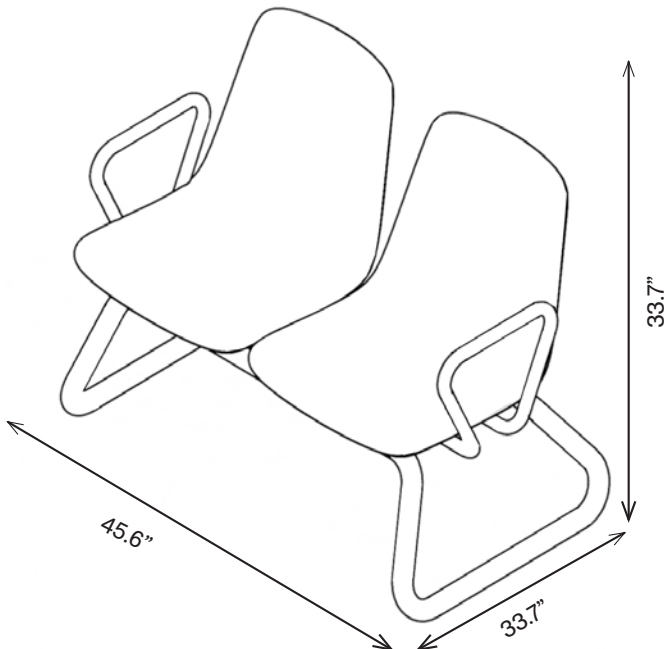
Weight: 57.3 lbs.



1KGG2 + 1KG1-ARM

33.7"H | 45.6"W | 24.6"D

Weight: 68.3 lbs.



T
E
W

800.496.9324

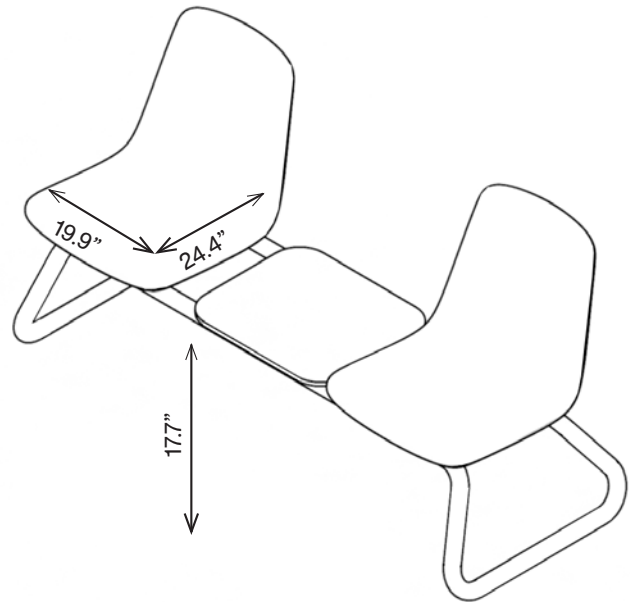
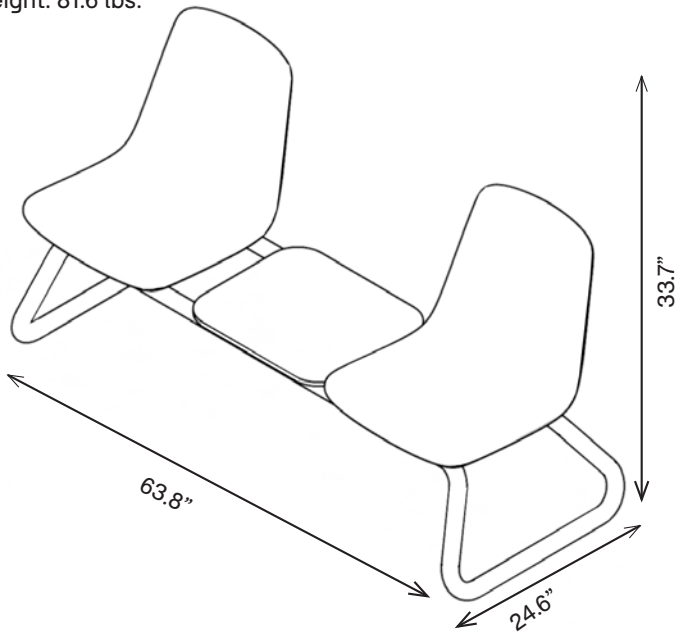
inquiries@pineapplecontracts.com

us.pineapplecontracts.com

Pineapple

KORGEN 2-SEATER

1KGG2-TT
33.7"H | 63.8"W | 24.6"D
Weight: 81.6 lbs.



T
E
W

800.496.9324

inquiries@pineapplecontracts.com

us.pineapplecontracts.com

Pineapple