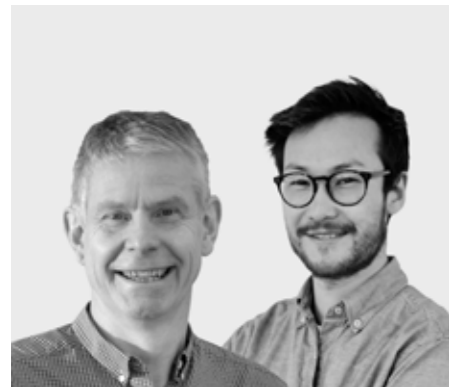


SEAL

Seamless design;
maximum safety



Pineapple



Designed by
Ingemar Jonsson and Ross Mclean

Made without seams or gaps, Seal is a minimalist seating range designed to reduce risk and maximize safety in challenging environments.

Seal's soft foam core is protected by a water-resistant outer skin, creating a hygienic surface which can be easily cleaned and dried, ready for re-use.

Traditional seating often features seams which can become the target of damage, and gaps which can be used for concealment or stashing.

Seal's smooth continuous shape eliminates these risks, creating safer environments for everyone.

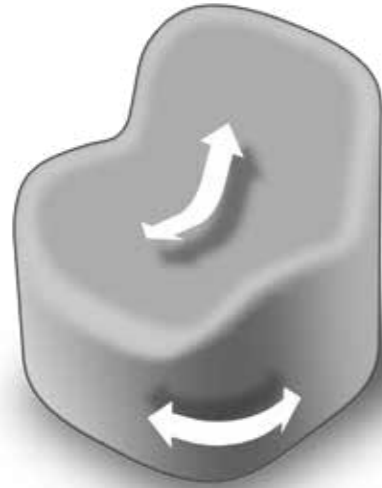




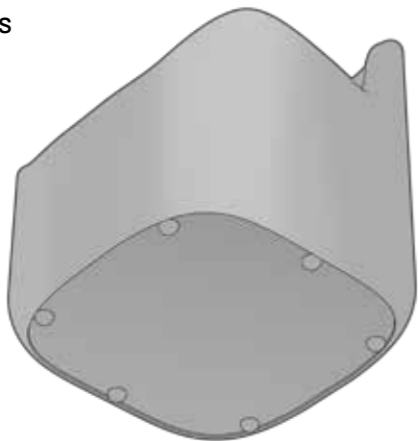
SECURITY

Seal's seamless shape is engineered to maximize safety in challenging environments:

→ Designed without seams or gaps to minimize concealment opportunities



→ Anti-concealment base with non-accessible fixings



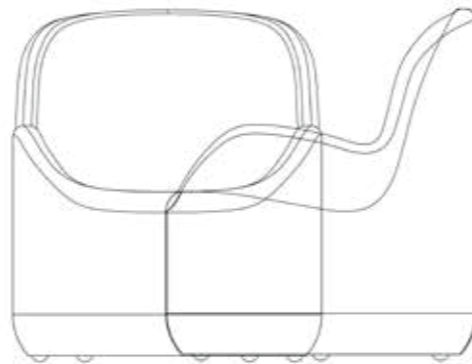
→ Subtle arms support staff in safe de-escalation practices



STRENGTH AND SAFETY

→ Static load test (seat) 500 lbs. (EN 16139:2013 Level 2)

→ Flame retardant SOFT-TEC material (BS 5852-2:1982 - Crib 5)



RANGE



Chair
33.1"H | 29.5"W | 27.6"D
Unweighted (57.3 lbs.) 1SAS1-00-GREY / 1SAS1-00-BLUE
Weighted (154.3 lbs.) 1SAS1-70-GREY / 1SAS1-70-BLUE

2-seater
33.1"H | 59.1"W | 27.6"D
Unweighted (99.2 lbs.) 1SAS2-00-GREY / 1SAS2-00-BLUE
Weighted (198.4 lbs.) 1SAS2-90-GREY / 1SAS2-90-BLUE

COLOR OPTIONS

Azur Blue:

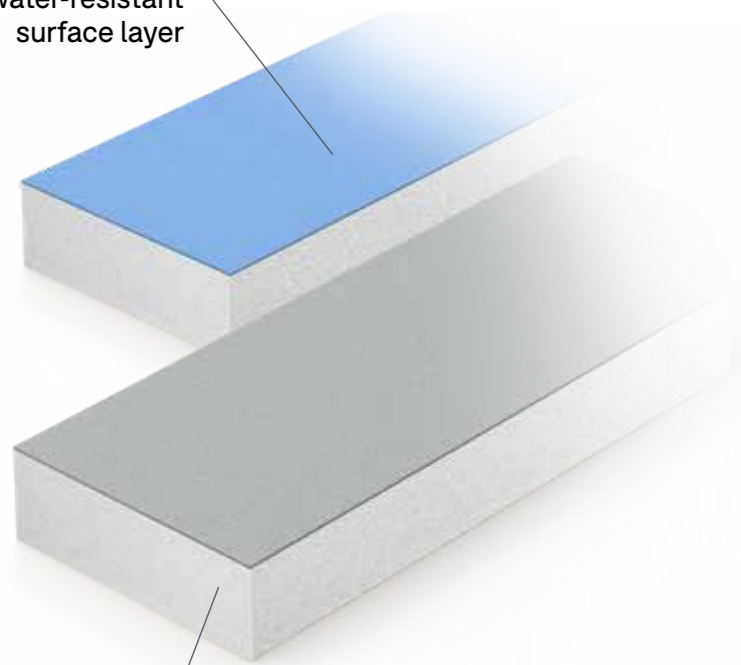
London Gray:

MATERIAL

SOFT-TEC™

Soft-tec is a 2-part molded polyurethane material which combines soft comfort with resistance and durability. The soft core in flexible polyurethane foam is bonded to an external water-resistant polyurethane skin.

Durable
water-resistant
surface layer



Polyurethane foam
176.4kg/m³



Soft

Comfortable and suitable for various seating positions. Tactile soft-touch surface finish.



Resistant

SOFT-TEC is extremely RESISTANT to wear, tearing, shocks, laceration and abrasion thanks to the high mechanical resistance of its external polyurethane skin.



Water-resistant

Its elastic external polyurethane skin makes SOFT-TEC totally water resistant.



Fire retardant

SOFT-TEC is fire retardant in compliance with BS 5852-2:1982 - Crib 5.



Crushproof

Its durable foam structure absorbs impact, making SOFT-TEC resistant to deformation and blows.



Health

SOFT-TEC is easily cleaned with a 0.1% sodium hypochlorite solution as recommended for healthcare settings. The material is lead and phthalate-free, resistant to mildew and complies with Reach Art. 33 for presence of SVHC.





CARE AND MAINTENANCE

We recommend the use of the procedure indicated by the World Health Organization, as follows:

- Surfaces can be cleaned with a solution of water and 0.1% sodium hypochlorite (the solution is obtained by adding 50ml of 5% household bleach in 2.5 liters of water)
- The resulting mix fights bacteria and germs, thus ensuring disinfection and cleanliness

See for yourself...

To arrange a demonstration or book a visit to our showroom, please call 800.496.9324

Pineapple, 2149 Avon Industrial Dr., Rochester Hills, MI 48309

T 800.496.9324

E inquiries@pineapplecontracts.com

W us.pineapplecontracts.com

Pineapple