

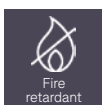
# CADREGA LOUNGE BARIATRIC CHAIR

**1CGGB1-200**  
 40”H | 34”W | 26”D  
 Seat Height: 17.3”  
 Weight: 35 lbs.



## KEY FEATURES

- Versatile seating range with a minimalist design ethos
- Hygiene-gap between seat and back to prevent dirt and dust gathering
- Seat static weight tested to 500 lbs.
- Solid birch legs and frame



### MATERIAL/FABRICATION

Elegantly styled and compact in size, Cadrega is the perfect bedside seating option for patients and visitors, as well as larger spaces like receptions and waiting areas. Cushioned areas made from fire retardant, high density CMHR (combustion modified high resilience) foam is safe for both users and staff.

### TEST STANDARDS

- Fire retardant to BS7176:2007 source 5
- Strength and stability tested to BS EN 16139:2013 level 2
- Seat static weight tested to 500 lbs.

### OPTIONS

- Available with pressure relieving foam to reduce the risk of pressure ulcers
- Matching Cadrega Lounge and Dining sets available
- Cadrega ottoman available (see below)

1CGF-100  
 11.8”H | 20”W | 12.5”D  
 Weight: 6.6 lbs.



### COLOR/FINISH

Solid birch legs and frame

### FABRIC

Available in a wide choice of fabrics including Vinyl, Waterproof, Non Waterproof and Leather

### ASSEMBLY

Arrives assembled and ready to use

### INSTALLATION/FITTING

No fitting required

### MAINTENANCE

See upholstered furniture section of our care guidelines <https://us.pineapplecontracts.com/upholstery/care-guidance/>

### WARRANTY

7 year guarantee (does not include fabrics)

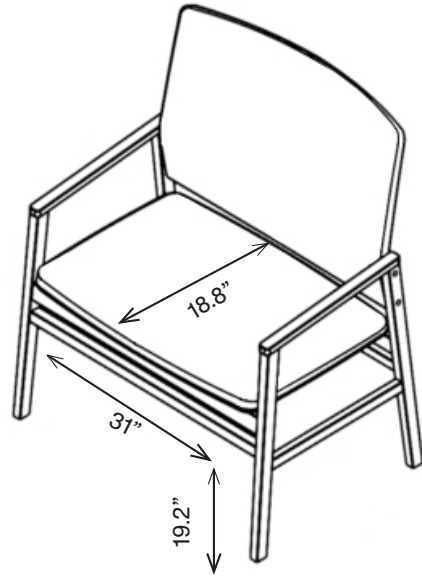
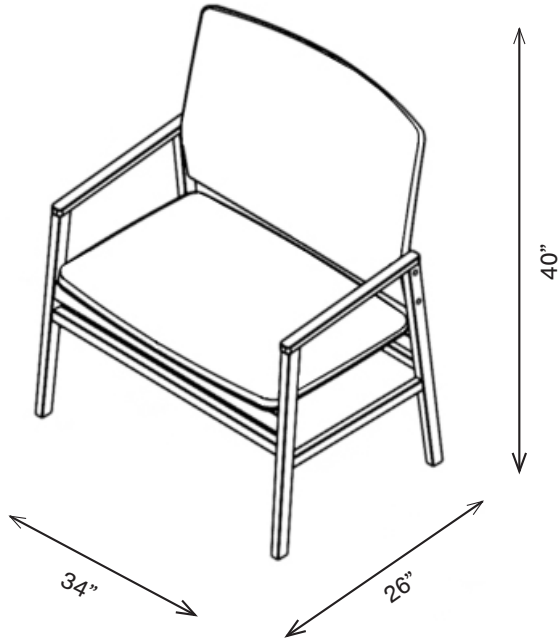
T  
E  
W

800.496.9324  
 inquiries@pineapplecontracts.com  
 us.pineapplecontracts.com

**Pineapple**

# CADREGA LOUNGE BARIATRIC CHAIR

1CGB1-200  
40"H | 34"W | 26"D  
Weight: 35 lbs.



T  
E  
W

800.496.9324  
inquiries@pineapplecontracts.com  
us.pineapplecontracts.com

Pineapple