

CODA ARMCHAIR

1CDA1-900

32"H | 38"W | 32"D

Seat Height: 18 inches

Weight: 89 lbs



KEY FEATURES

- 1.6 inches space between cushions to prevent concealment and make inspection safer
- Unlike conventional sofas, there are no dirt-traps and can be thoroughly cleaned
- Powdercoated steel frame and feet which are resistant to moisture from cleaning
- Plywood reinforcement for strength
- Seat static weight tested to 1100 lbs



MATERIAL/FABRICATION

Coda is a fully plywood reinforced, anti-stash seating range with a 40mm space between the seat platform and the arms and back, making visual inspections easier and preventing concealment opportunities. Coda is raised off the ground to improve visibility and further aid cleaning practises. A matt black powdercoated metal frame with security fixings includes black plastic feet glides to prevent floor damage

TEST STANDARDS

- Strength & stability (EN 16139:2013 Level 2)
- Extra durability (500,000 seat and back cycles)
- Static weight test (seat) 500kg

OPTIONS

- Available in 2-tone upholstered finish
- Also available in a 2 & 3-Seater option (as below)

Loveseat
1CDA2-900
32"H | 61"W | 32"D
Seat Height: 18"
Weight: 111 lbs.



3-Seater
1CDA3-900
32"H | 79"W | 32"D
Seat Height: 18"
Weight: 199 lbs.



COLOUR/FINISH

Available in a wide range of upholstery options with a black mild steel powdercoated metal (RAL 9005) underframe

DELIVERY

Leadtime approx. 6-8 weeks

ASSEMBLY

Arrives assembled and ready to use

INSTALLATION/FITTING

No fitting required

MAINTENANCE

See upholstered furniture section of our care guidelines
<https://uk.pineapplecontracts.com/upholstery/care-guidance/>

WARRANTY

7 year guarantee

T

800.496.9324

E

inquiries@pineapplecontracts.com

W

us.pineapplecontracts.com

Pineapple

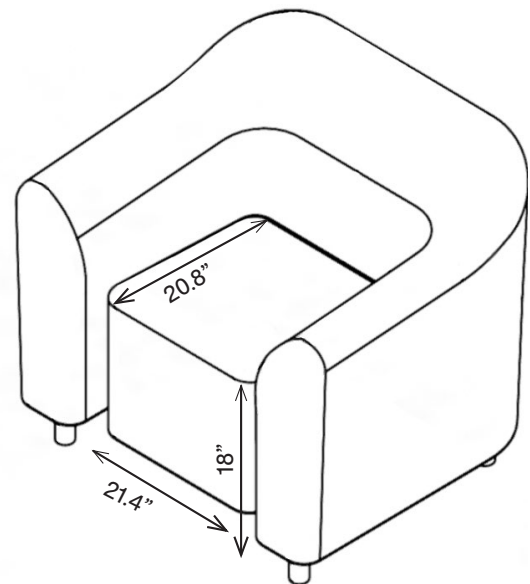
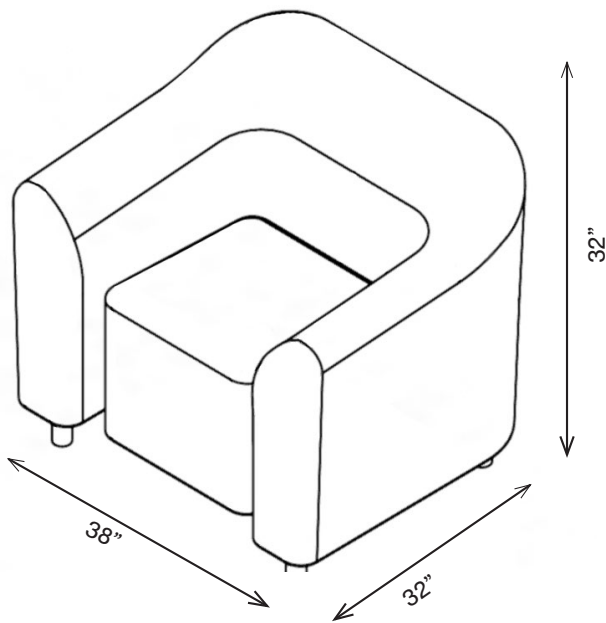
CODA ARMCHAIR

1CDA1-900

32 H | 38 W | 32 D (inches)

Seat Height: 18 inches

Weight: 89 lbs



T
E
W

800.496.9324

inquiries@pineapplecontracts.com

us.pineapplecontracts.com

Pineapple