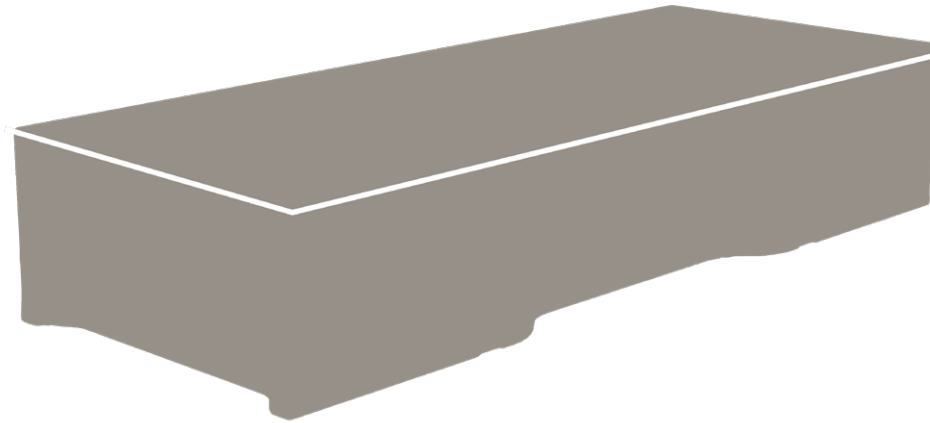


# RYNO<sup>®</sup> CUBE BED → FLOOR FIXING



These instructions apply only when fixing to a concrete floor with no obstructions (e.g. under floor heating, cables, plumbing, etc.). When fixing to any other surface, or with obstructions, please contact your Pineapple representative for further advice.

*N.B if fitting against coving there are several options to create a safe installation:*

- Cut the coving in the area that the bed sits in
- Trim the base of the bed to fit the coving
- Push the bed as close to the wall as possible and infill the gap

## REQUIRED ITEMS

- 4 x fixing templates
- 4 x floor brackets
- 4 x locking bolts
- 4 x 8mm filler rod
- 4 x 8mm filler rod
- 4 x flat metal plates
- 8 x M10 bolts
  
- Masking tape
- 8mm wood drill bit
- 16 x concrete hardware fixings
- 5mm Allen key

Only provided with the  
floor fixed version

V3 July 2023

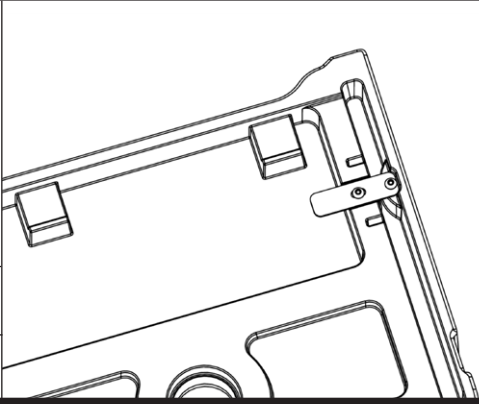
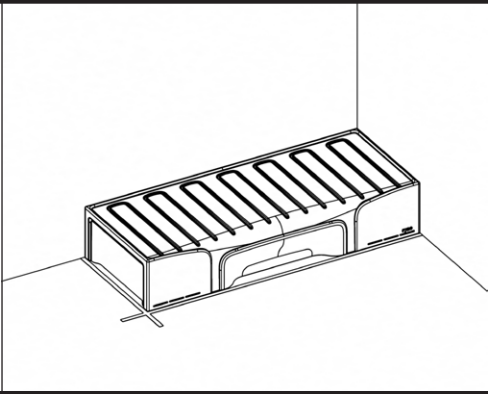
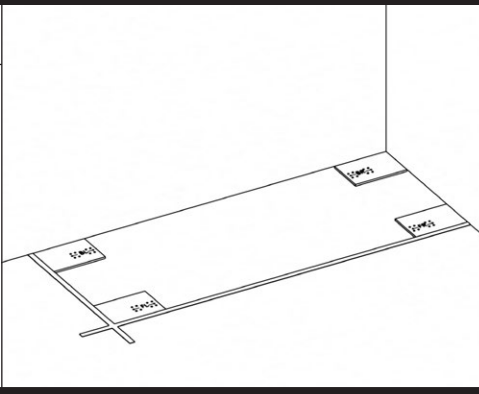
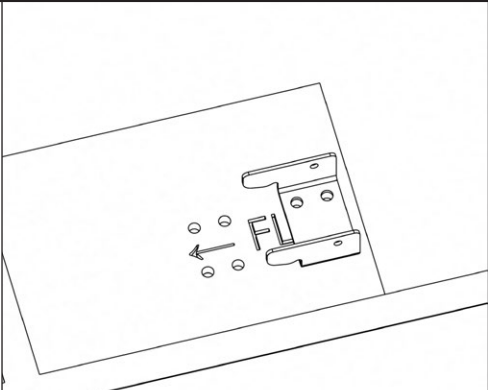


800.496.9324

[inquiries@pineapplecontracts.com](mailto:inquiries@pineapplecontracts.com)

# Pineapple

# RYNO<sup>®</sup> CUBE BED → FLOOR FIXING

<h2>01</h2>	<p>Attach the 4 x flat plates to the underside of the bed with the supplied M10 bolts</p>	
	<p>Place bed in desired location and mark its outline with masking tape. Use the overhanging edge of the bed as the guide</p>	<h2>02</h2>
<h2>03</h2>	<p>Remove bed and place the fixing templates onto the floor at each corner of the marked area. Templates are marked; FL-Front Left, FR-Front Right, BL-Back Left, BR-Back Right. (The front of the bed has the recessed area for sitting)</p>	
	<p>Using the template mark then drill the floor in each bracket location with the x4 fixing points. Take note of the bed sliding direction – as marked with the arrows. (The bed slides under the brackets from left to right in this example)</p>	<h2>04</h2>

V3 July 2023

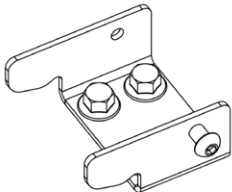
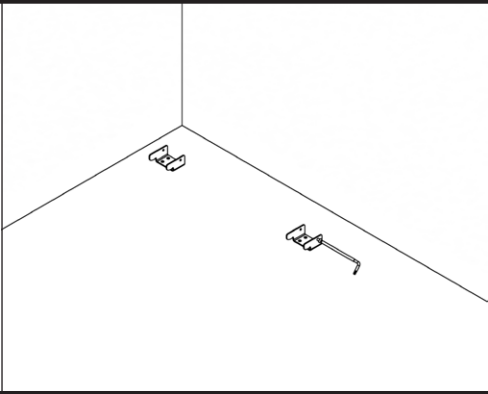
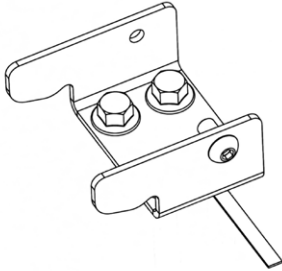
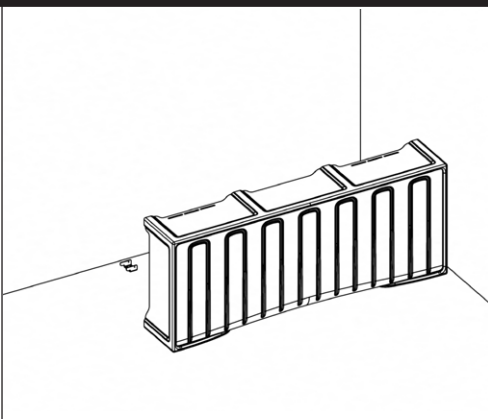


800.496.9324

[inquiries@pineapplecontracts.com](mailto:inquiries@pineapplecontracts.com)

# Pineapple

# RYNO<sup>®</sup> CUBE BED → FLOOR FIXING

<h2>05</h2>	<p>Remove the templates and bolt the brackets to the floor using appropriate hardware fixings</p>	
	<p>Insert locking bolt facing outwards into one or both front brackets (FL or FR) and screw in only a few turns. (All 4 locking bolts can be used if only the head end of the bed is against a wall)</p>	<h2>06</h2>
<h2>07</h2>	<p>Use masking tape to mark the locations of the locking bolts on the floor. This will help to indicate where the holes will have to be drilled</p>	
	<p>Lie bed on its front face and 40mm to the left of its final position</p>	<h2>08</h2>

V3 July 2023



800.496.9324

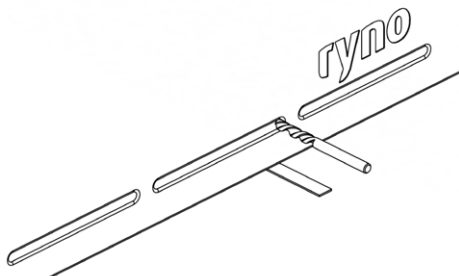
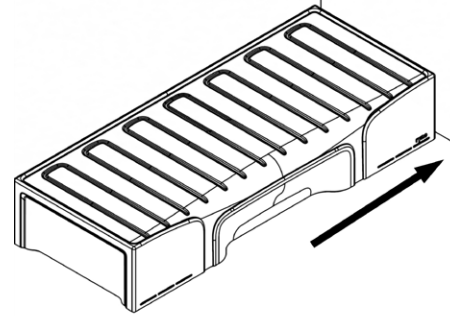
[inquiries@pineapplecontracts.com](mailto:inquiries@pineapplecontracts.com)

# Pineapple

# RYNO<sup>®</sup> CUBE BED → FLOOR FIXING

09

Lower the bed over the brackets and push lengthways 40mm so that it hooks into place

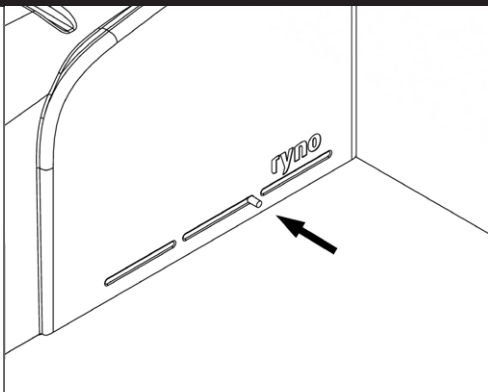
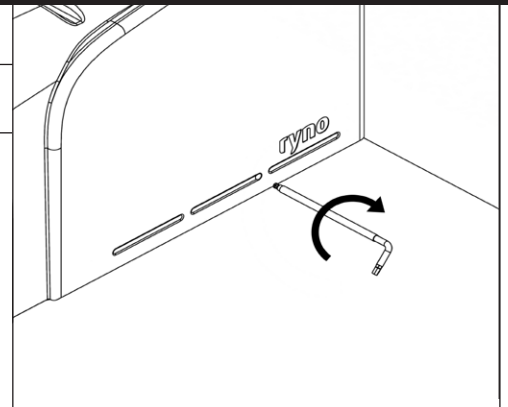


Drill through the side of the bed in line with where the locking bolts will be (use 8mm wood drill bit). Clear out any plastic swarf (bed may need to be removed for this). The drilling hole will line up with either end of a 'slot' indent feature.

10

11

Insert the Allen key and find the head of the locking screws. Tighten until the screw stops turning. The bed should now be locked into place



Tap in the filler rod to block access to the locking screws

12



800.496.9324

[inquiries@pineapplecontracts.com](mailto:inquiries@pineapplecontracts.com)

V3 July 2023

**Pineapple**

# DISCLAIMER

	<ul style="list-style-type: none"><li>→ Ensure the proper and adequate hardware is used to secure furniture</li><li>→ Ensure fastenings are appropriate for the anchoring material</li><li>→ Use fastenings of an appropriate strength and consider using security fixings in challenging environments</li><li>→ Consider using high strength thread-locker on fastenings in challenging environments</li><li>→ Ensure all gaps are sealed with the appropriate anti-pick mastic after product installation if necessary</li><li>→ Please read all instructions carefully to ensure proper installation. Failure to read and follow instructions may result inadequate product installation and void of warranty</li><li>→ Pineapple shall not be held liable for any consequences caused by the improper installation of products to the installer or the end user</li></ul>

