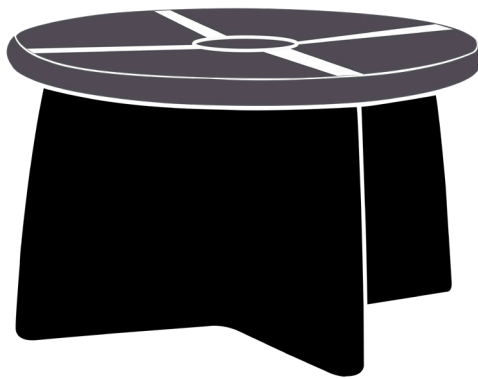


# RYNO DINING TABLE

## → ASSEMBLY INSTRUCTIONS



DINING TABLE

## REQUIRED ITEMS

- Table Top x1
- Table Base x1
- M10 x 60mm anti-tamper security screw x8
- Washer x8
- T50H (anti-tamper) Screw bit
- Handheld power drill



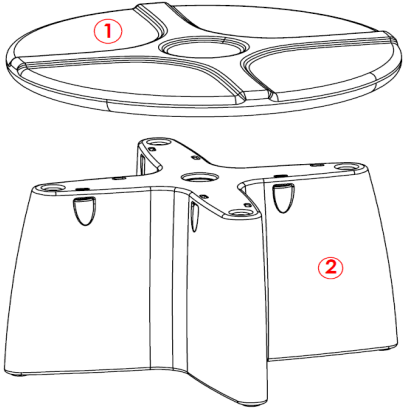
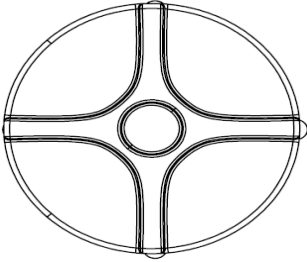
800.496.9324

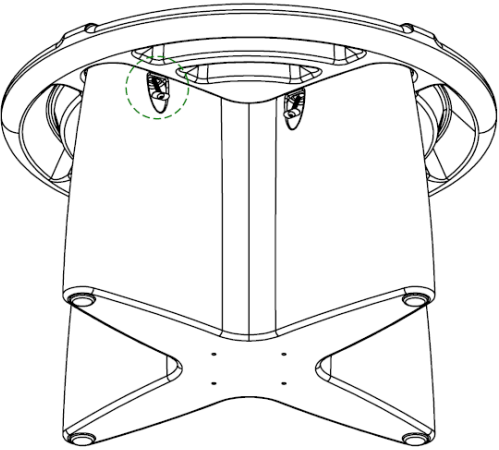
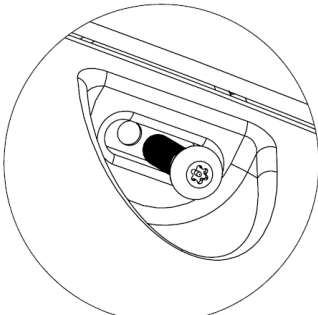
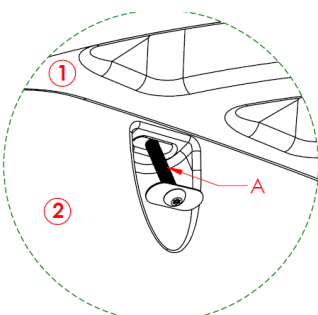
[inquiries@pineapplecontracts.com](mailto:inquiries@pineapplecontracts.com)

**Pineapple**

# RYNO TABLES

## → ASSEMBLY INSTRUCTIONS

<h1>01</h1>	<p>Place the table top on the base. The underside of the table top will have the same cross shape as the base. They should slot together.</p>	
<p>DO NOT ATTEMPT A ONEPERSON LIFT. THIS COULD CAUSE PERSONAL INJURY OR DAMAGE TO TABLE TOP</p> 		

	<h1>02</h1>	<p>On the underside screw in all 8 M10 x 60mm anti-tamper security screws with washers, making sure the washer is in place, to fix the table top to the base.</p>
		
<p>view without the washer to show bolt placement</p>		



800.496.9324

[inquiries@pineapplecontracts.com](mailto:inquiries@pineapplecontracts.com)

# Pineapple

# DISCLAIMER

	<ul style="list-style-type: none"><li>→ We suggest you spend a short time reading through this leaflet and then follow the simple step-by-step instructions</li><li>→ Carefully check that you have all the parts before beginning assembly.</li><li>→ Keep fittings out of children's reach and keep children well away from construction area.</li><li>→ We suggest you retain these instructions for future reference.</li></ul>



800.496.9324

[inquiries@pineapplecontracts.com](mailto:inquiries@pineapplecontracts.com)

**Pineapple**