



TEST REPORT: 4790865994.1

APPLICANT

Name: Pineapple Contracts Unlimited
Address: Westmead
 Aylesford, ME20 6XJ
 United Kingdom

Product: RYNO Wardrobe



DATE

Sample in:	11/7/2023	(dd/mm/yyyy)
Tests start:	11/7/2023	(dd/mm/yyyy)
Tests end:	4/8/2023	(dd/mm/yyyy)
Report issue:	4/8/2023	(dd/mm/yyyy)

OVERALL DIMENSIONS:

Measured:	Depth: 490 mm;	Height: 2005 mm
	Width: 695 mm	Weight: 45.4 kg
Nominal:	Depth: ND;	Height: ND;
	Width: ND;	Weight: ND;

Sample number 6113888 **Order Number:** 14817779

REFERENCE STANDARD

ANSI/BIFMA X5.9:2019 Storage Units

NOTE: clauses considered as not applicable to the product are not listed in this report.

Sample defects before the test: NO VISIBLE DEFECTS

Tests have been performed at a temperature of 21 ± 2 °C

The tests have been performed on 1 sample (s) as requested by the customer

The sample is classified as Type: I

Technician
 Marco Tita

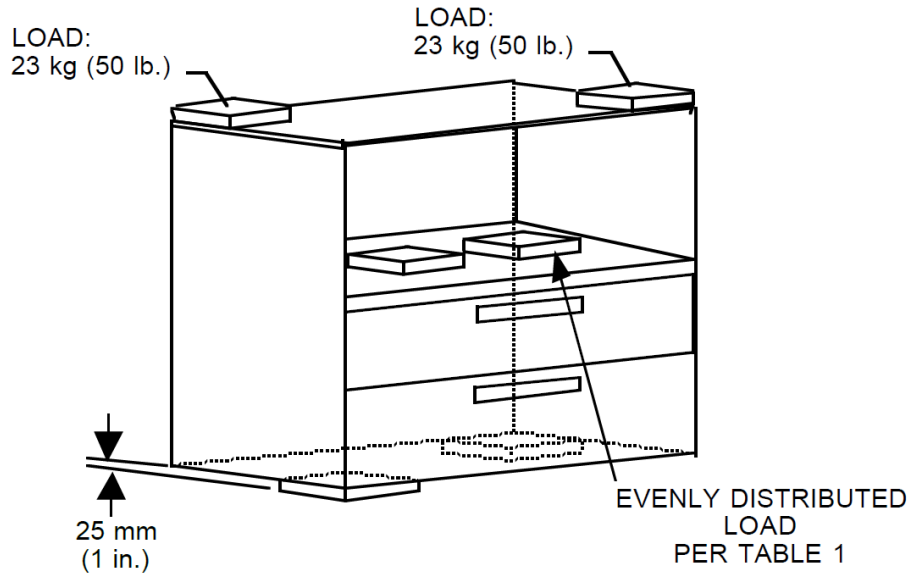
Laboratory Manager
 Matteo Longoni

*Note: any copy, even partial, of this report, and any change or alteration to it are strictly forbidden.
 The test results listed in this report are relevant only for the tested sample. Sampling performed by the customer.*

TEST REPORT: 4790865994.1

Issued on: 4/8/2023

6 Racking Resistance Test



Total load applied (kg)	Time of test (minutes)	Force required to extract the extendible elements (N)	Rating
shelf 1= 17.4kg shelf 2=32.3kg shelf 3=27.9kg shelf 4=25.7kg bottom=33.7kg	60	-	P

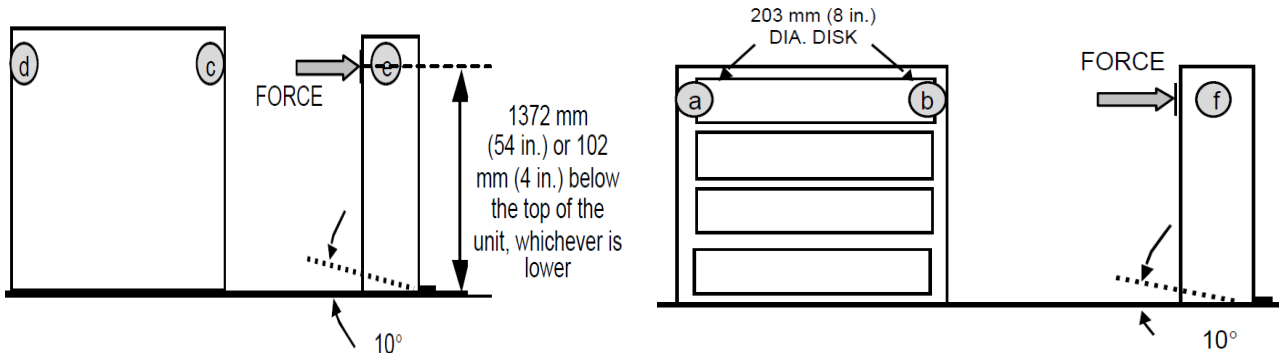
Note: The top has not been loaded since is not a flat surface.

TEST REPORT: 4790865994.1

Issued on: 4/8/2023

9 Stability Tests

9.2 Horizontal Force Stability Test for Storage Units without Extendible Elements



Load applied on the lowest storage component (kg) [105 kg/m ²]	Impact location	Horizontal force (applied with Ø 203 mm) (N)	Height of the force from the floor (mm)	Test conclusion	Rating
Bottom = 26.85	Front – Left	177	1372	10° tilt reached	P
	Front – Right	177	1372	10° tilt reached	P
	Back – Left	177	1372	10° tilt reached	P
	Back – Right	177	1372	10° tilt reached	P
	Left side	177	1372	10° tilt reached	P
	Right side	177	1372	10° tilt reached	P

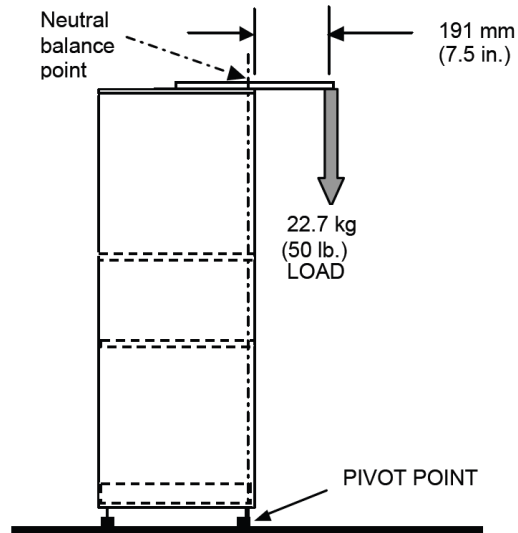
Note:



TEST REPORT: 4790865994.1

Issued on: 4/8/2023

9.6 Vertical Force Stability Test for Storage Units



Vertical force applied (kg)	Rating
22.7	P

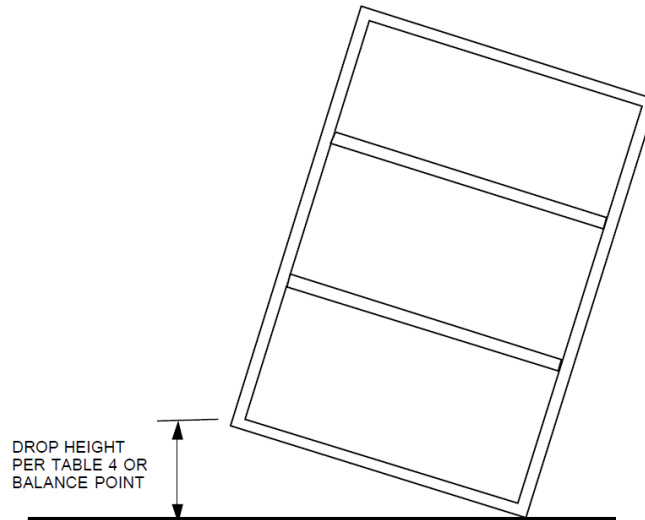
Note:



TEST REPORT: 4790865994.1

Issued on: 4/8/2023

10 Storage Unit Drop Test



Weight of sample: 45.4 kg

Weight of sample (kg)	Drop height (mm)	N° cycle	Force required to extract the extendible elements (N)	Rating
< 45	180	1 + 1	-	NA
45 - 90	120	1 + 1	-	P
> 90 – 136	60	1 + 1	-	NA
> 136	-	-	-	NA

Note: Force required to extract the extendible elements is not greater than 50 N.



TEST REPORT: 4790865994.1

Issued on: 4/8/2023

Key:

- P** = PASS, the sample MEETS the standard requirement.
- F** = FAIL, the sample DOES NOT MEET the standard requirement.
- NA** = NON APPLICABILE, the requirement/test IS NOT APPLICABLE to the sample.
- NR** = NOT REQUESTED, On Customer request the test is NOT PERFORMED.
- NP** = General note (see details).
- ND** = NOT DECLARED.
- //** = The rating of test CANNOT BE EXPRESSED, see details in test report

FINE RAPPORTO / END OF TEST REPORT