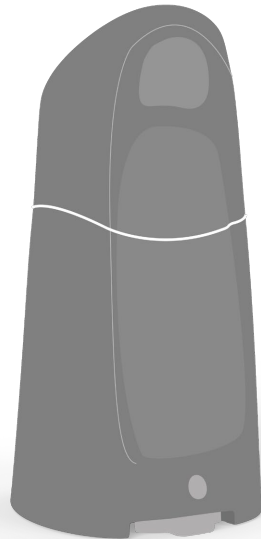


# RYNO<sup>®</sup> SAFEWASTE

## FLOOR-FIXING INSTRUCTIONS



*Please read all instructions carefully before attempting to disassemble this product. If you have any queries or concerns, please contact your Pineapple representative for further advice*

### REQUIRED ITEMS

- x3 appropriate floor-fixing hardware  
\* not supplied
- Hammer drill or equivalent
- Masonary drill bit
- Marking tool (center punch or pencil)




800.496.9324

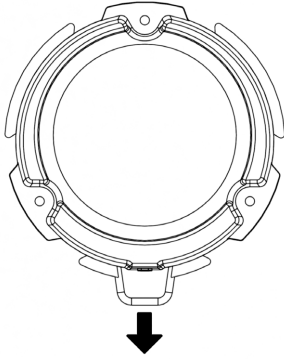


[inquiries@pineapplecontracts.com](mailto:inquiries@pineapplecontracts.com)

# Pineapple

# RYNO<sup>®</sup> SAFEWASTE

## FLOOR-FIXING INSTRUCTIONS

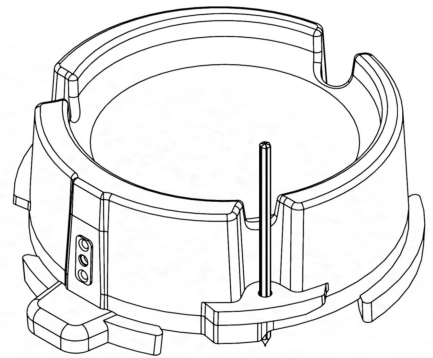


Place the bin base in the final location ensuring the tab is facing forwards.

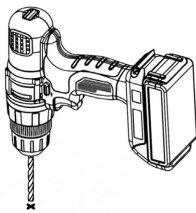
# 01

# 02

Mark the 3 fixing locations with a center punch or marker.



x



Drill into the ground and place in appropriate fixings.

# 03

T  
E

800.496.9324

[inquiries@pineapplecontracts.com](mailto:inquiries@pineapplecontracts.com)

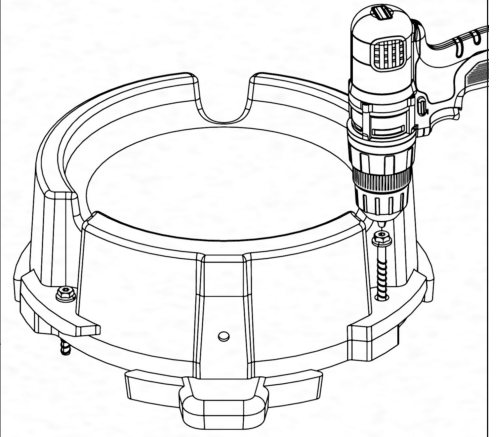
# Pineapple

# RYNO<sup>®</sup> SAFEWASTE

## FLOOR-FIXING INSTRUCTIONS

04

Place bin base in position and bolt to ground using appropriated fixings.



800.496.9324

[inquiries@pineapplecontracts.com](mailto:inquiries@pineapplecontracts.com)

**Pineapple**

# DISCLAIMER

	<ul style="list-style-type: none"><li>→ Ensure the proper and adequate hardware is used to secure furniture</li><li>→ Ensure fastenings are appropriate for the anchoring material</li><li>→ Use fastenings of an appropriate strength and consider using security fixings in challenging environments</li><li>→ Consider using high strength thread-locker on fastenings in challenging environments</li><li>→ Ensure all gaps are sealed with the appropriate anti-pick mastic after product installation if necessary</li><li>→ Please read all instructions carefully to ensure proper installation. Failure to read and follow instructions may result in inadequate product installation and void of warranty</li><li>→ Pineapple shall not be held liable for any consequences caused by the improper disassembly or installation of products to the installer or the end user</li></ul>