

# CIRRUS

Coffee  
Tables

Pineapple





Cirrus tables are designed with safety, strength and style in mind, making them a perfect addition to mental health environments.

The smoothly rounded silhouette is combined with heavy weighting to prevent the tables from being picked up, reducing the risk of misuse. The weight is situated at the base of the table, providing superior stability and resistance to tipping.

Cirrus is available with 2 durable top options. **DURA-TEC** is a low-maintenance, damage-resistant surface covering with a smart matte finish. **CLEAN-TEC** is a solid material with a smooth tactile

finish. Both options are totally water-resistant, easy to clean and feature an integrated lip around the edges to help contain spills, keeping floors dry.

The base of the table is made from waterproof ABS plastic - a highly durable and impact-resistant material which also allow for regular mopping without causing damage to the product.

Situated between the top and base is a wood-effect Hickory finish which will lend a warm tone to any environment.






# CIRRUS



**Cirrus side table**  
 18.1H | 15.7W | 15.7D (in)  
 Weighted (92.6lb)  
 DURA-TEC top: 1CUS-WH-K  
 CLEAN-TEC top: 1CUS-WH-C

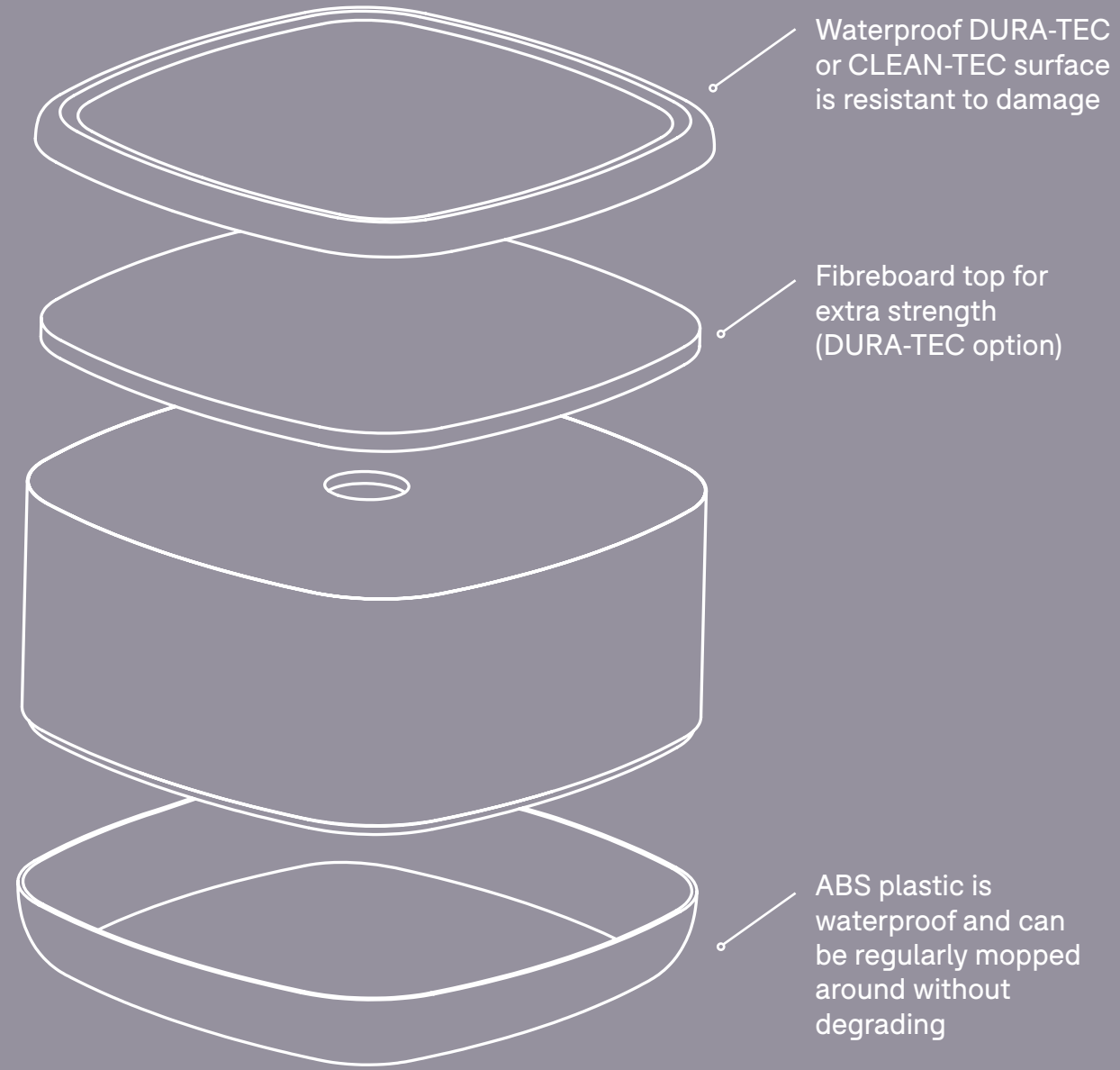


**Cirrus coffee table**  
 16.5H | 27.5W | 27.5D (in)  
 Unweighted (132.3lb)  
 DURA-TEC top: 1CUF-0-WH-K  
 CLEAN-TEC top: 1CUF-0-WH-C  
 Weighted (180.8lb)  
 DURA-TEC top: 1CUF-WH-K  
 CLEAN-TEC top: 1CUF-WH-C

KEY FEATURES	DURA-TEC TOP OPTION	CLEAN-TEC TOP OPTION
<ul style="list-style-type: none"> <li>→ Rounded corners and heavy weight help to prevent misuse</li> <li>→ Waterproof, easy-to-clean top surface with anti-spill lip</li> <li>→ Waterproof ABS base allow for regular mopping without damage to the product</li> <li>→ Low center of gravity to prevent tipping</li> </ul>	<p>A low-maintenance, damage- and water-resistant surface coating with a lightly textured finish.</p> 	<p>A solid, non-porous water-resistant material with a tactile feel and a seamless smooth finish.</p> 

Designed for  
peace of mind

Reinforced body  
contains ballast to add  
weight and stability



# See for yourself...

To arrange a demonstration or book a visit to our showroom, please call 800.496.9324

Pineapple USA, 7105 19 Mile Road, Sterling Heights, MI 48314

T

800.496.9324

E

[inquiries@pineapplecontracts.com](mailto:inquiries@pineapplecontracts.com)

W

[us.pineapplecontracts.com](http://us.pineapplecontracts.com)

**Pineapple**