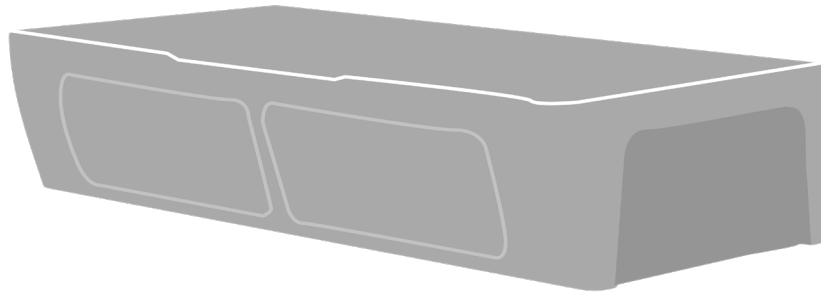


RYNO[®] WALL BED → FLOOR FIXING



These instructions apply only when fixing to a concrete floor with no obstructions (e.g. under floor heating, cables, plumbing, etc.). When fixing to any other surface, or with obstructions, please contact your Pineapple representative for further advice.

N.B if fitting against coving there are several options to create a safe installation:

- *Cut the coving in the area that the bed sits in*
- *Trim the base of the bed to fit the coving*
- *Push the bed as close to the wall as possible and infill the gap*

REQUIRED ITEMS

- 8 x fixing templates
- 4 x floor brackets
- 4 x locking bolts
- 4 x 8mm filler rod
- 4 x flat metal plates
- 8 x M10 bolts

*Only provided with the
floor fixed version*

- Masking tape
- 5/16" wood drill bit
- 16 x concrete hardware fixings
- 5mm Allen wrench



800.496.9324

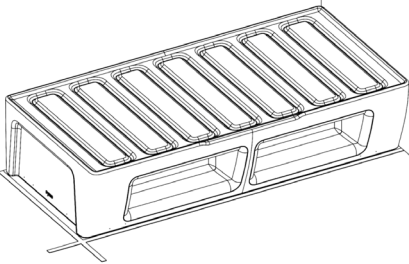
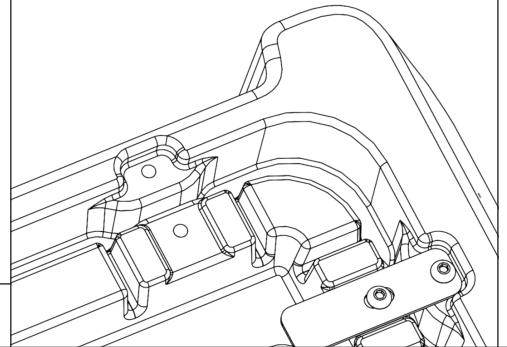
inquiries@pineapplecontracts.com

Pineapple

RYNO[®] WALL BED → FLOOR FIXING

01

Attach the x4 flat plates to the underside of the bed with the supplied m10 bolts. The plates will be fixed closer to the sides of the bed for front to back installation. (Image shows plates installed for side to side installation).

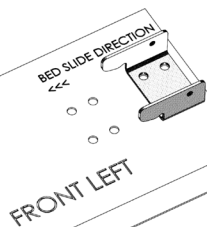
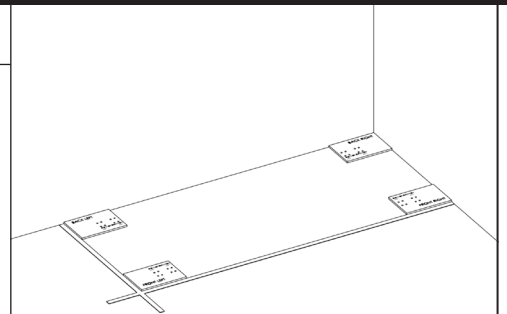


Place bed in desired location and mark its outline with masking tape. Use the overhanging edge of the bed as the guide. (the beds silhouette).

02

03

Remove bed and place the floor fixing templates onto the floor at each corner of the marked area. Refer to initial template layout pages for template locations and directions.



Using the template mark then drill the floor in each bracket location with the x4 fixing points. Take note of the bed sliding direction – as marked with the arrows. (The bed slides under the brackets from left to right in this example).

**Please note to measure up to the edge of the paper templates and not the clear laminated edge.*

04

T
E

800.496.9324

inquiries@pineapplecontracts.com

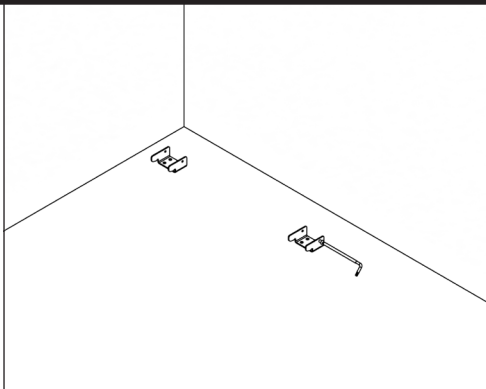
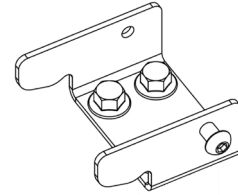
Pineapple

RYNO[®] WALL BED → FLOOR FIXING

05

Remove the templates and bolt the brackets to the floor using appropriate hardware fixings.

**Please note to measure up to the edge of the paper templates and not the clear laminated edge.*

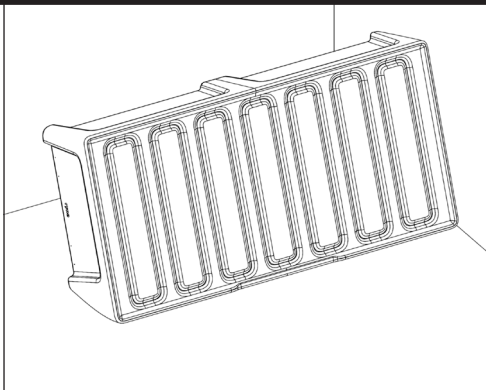
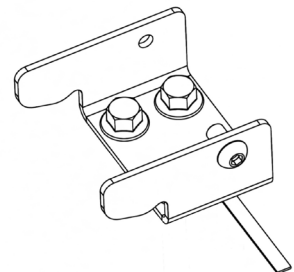


Insert locking bolt facing outwards into one or both front brackets (Front Left or Front Right) and screw in only a few turns. (All 4 locking bolts can be used if only the head end of the bed is against a wall).

06

07

Use masking tape to mark the locations of the locking bolts on the floor. This will help to indicate where the holes will have to be drilled.



Lie bed on its front face and 1.57" to the left (or in front) of its final position.

08

T
E

800.496.9324

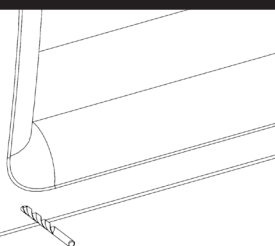
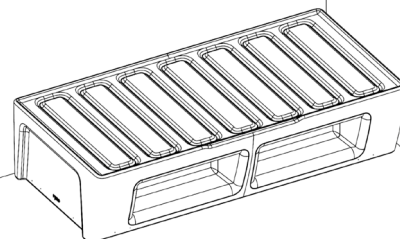
inquiries@pineapplecontracts.com

Pineapple

RYNO[®] WALL BED → FLOOR FIXING

09

Lower the bed over the brackets and push lengthways (or backwards) 1.57" so that it hooks into place.

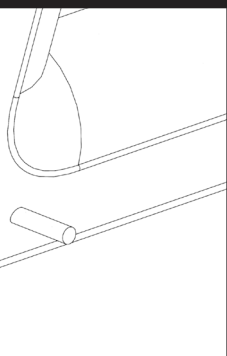
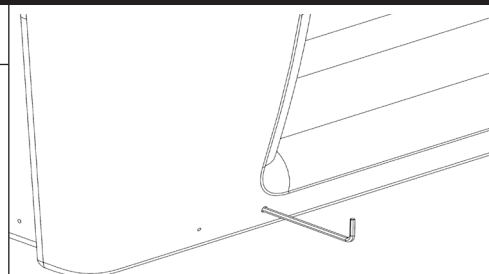


Drill through the side of the bed in line with where the locking bolts will be (use 5/16" wood drill bit). Clear out any plastic swarf (bed may need to be removed for this). The drilling hole will line up with a small dimple on the side of the bed.

10

11

Insert the Allen wrench and find the head of the locking screws. Tighten until the screw stops turning. The bed should now be locked into place.



Tap in the filler rod to block access to the locking screws.

12

T
E

800.496.9324

inquiries@pineapplecontracts.com

Pineapple

DISCLAIMER

	<ul style="list-style-type: none">→ Ensure the proper and adequate hardware is used to secure furniture→ Ensure fastenings are appropriate for the anchoring material→ Use fastenings of an appropriate strength and consider using security fixings in challenging environments→ Consider using high strength thread-locker on fastenings in challenging environments→ Ensure all gaps are sealed with the appropriate anti-pick caulk after product installation if necessary→ Please read all instructions carefully to ensure proper installation. Failure to read and follow instructions may result in inadequate product installation and void of warranty→ Pineapple shall not be held liable for any consequences caused by the improper installation of products to the installer or the end user