

RYNO[®]

Recessed furniture,
built-in for safety



Pineapple



In high-risk environments, furniture within a bedroom can present a number of safety risks - both in terms of being damaged by challenging behavior and being misused in ways that could lead to self-harm or harm to others.

Large, exposed faces like the side of a wardrobe can be vulnerable to damage by force, while horizontal faces like the top of a chest of drawers may present a ligature risk.

The presence of individual pieces of furniture can provide opportunities for concealment and may also impair lines of sight for staff who are checking on a patient's welfare.

The innovative Ryno Recessed range aims to address these risks by recessing the furniture into space within the wall.

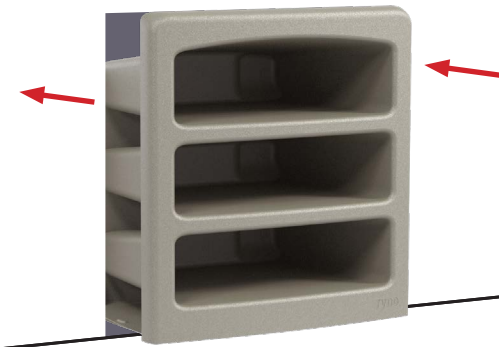
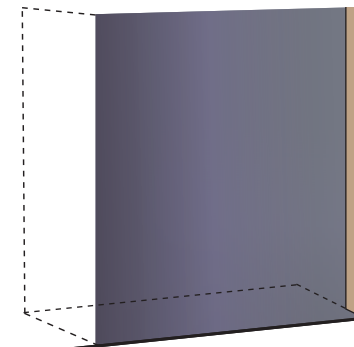
The products can be securely fixed to a timber frame within the wall, creating a robust installation of built-in furniture which provides no opportunity for leverage which could otherwise cause damage.

Each product is manufactured from a single piece of polyethylene, creating robust and totally waterproof piece of furniture, and the finished installation features uncluttered floor space.

01

Construct an aperture for the product to be recessed into. The dimensions of the aperture can be found on pages 8 to 11 of this document.

The aperture should be timber-framed and strong enough to withstand use in behavioral health environments.



Insert product into aperture, checking there are no gaps

02

03

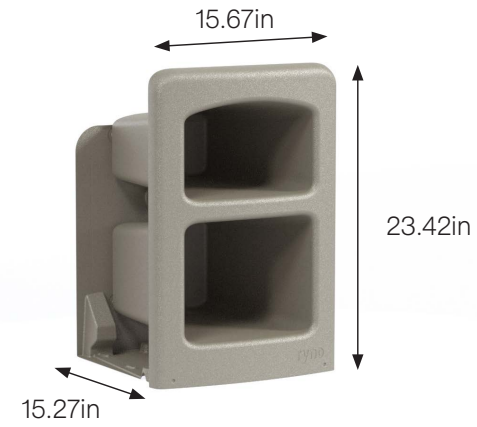
Using appropriate security fixings (3.15in M8 recommended, with screw cap to minimize ligature risks), screw through the inside of the shelves into the timber frame.



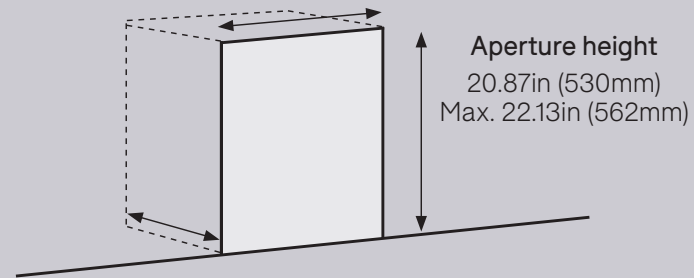
Apply a bead of anti-pick silicone sealant / caulk around the edges of the product.

04

RYNO® OPEN NIGHTSTAND

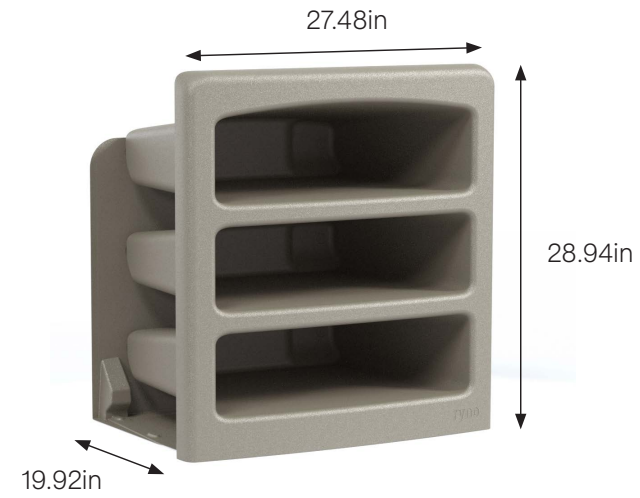


Aperture width:
12.2in (310mm)
Max. 14.17 in (360mm)

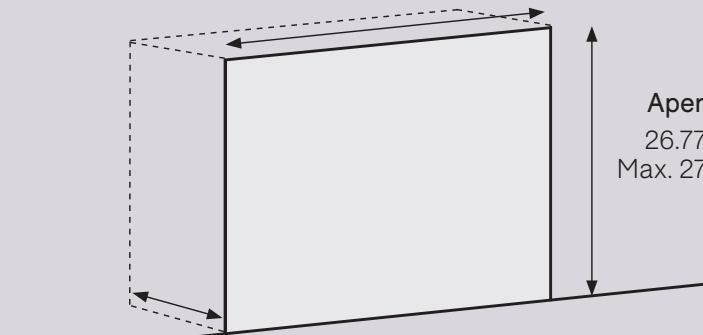


Aperture depth:
Min. 13.98in
(355mm)

RYNO® OPEN CHEST



Aperture width: 23.94in (608mm)
max. 25.9in (658mm)

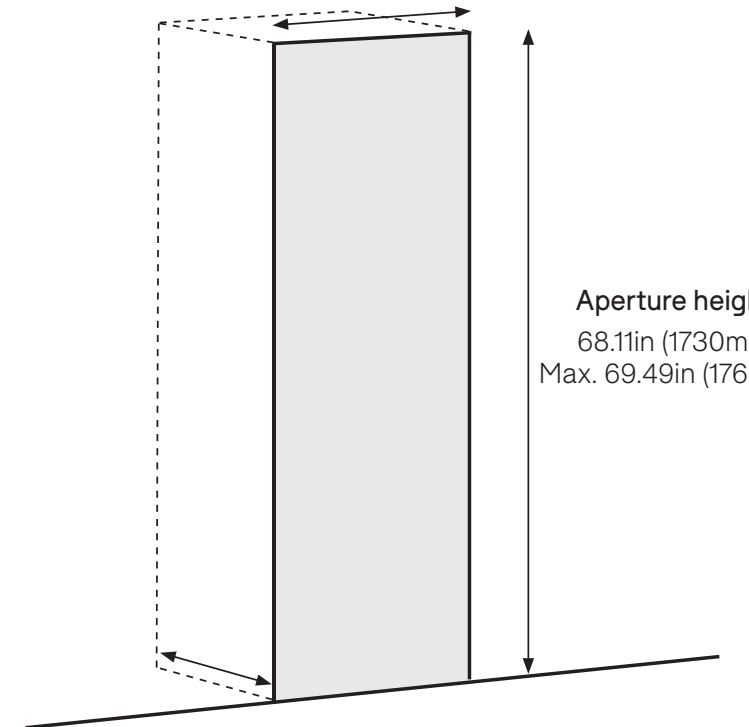


Aperture depth:
Min. 17.8 in
(452mm)

RYNO® OPEN MODULAR STORAGE



Aperture width:
16.42in (417mm) Max. 17.6in (447mm)

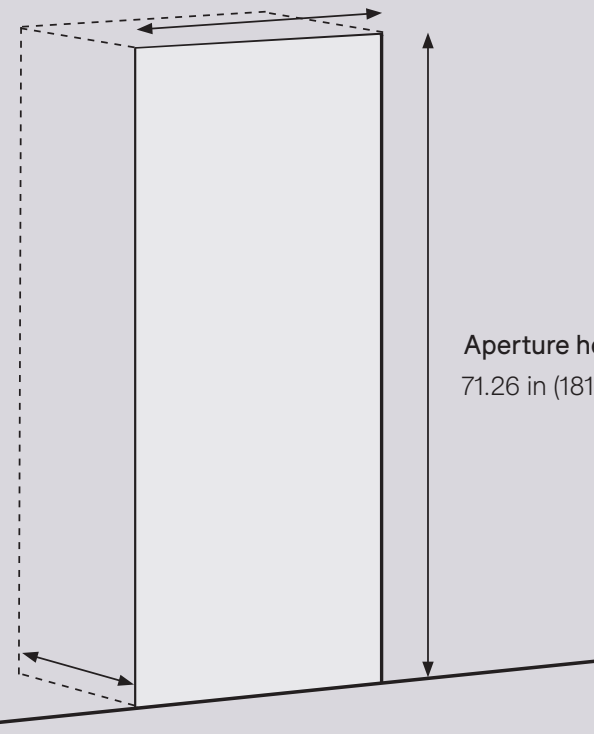


Aperture depth:
Min. 20in (508mm)

RYNO® OPEN WARDROBE



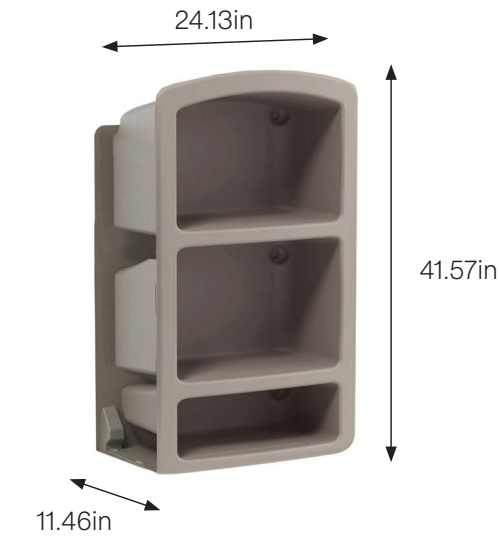
Aperture width:
23.54in (598mm) max. 25.9in (658mm)



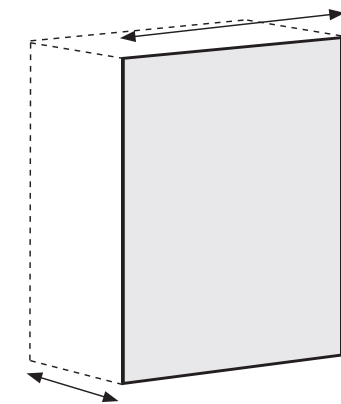
Aperture height:
71.26 in (1810mm)

Aperture depth:
17.91in (455mm)

RYNO® WALL SHELF



Aperture width:
19.3in (490mm) max. 20.47in (520mm)



Aperture height:
37in (940mm)
max. 37.4in (950mm)

Aperture
depth:
9.88in (251mm)

See for yourself...

To arrange a demonstration or book a visit to our showroom, please call 800.496.9324

Pineapple USA, 7105 19 Mile Rd, Sterling Heights, MI 48314

T

800.496.9324

E

inquiries@pineapplecontracts.com

W

us.pineapplecontracts.com

Pineapple