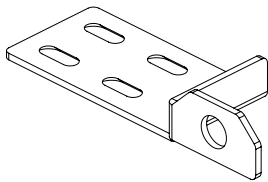
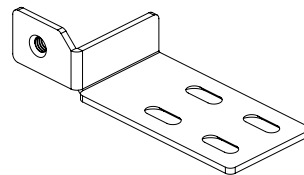


RYNO[®] MODULAR → LINKING BRACKET PART 1



BRACKET A



BRACKET B

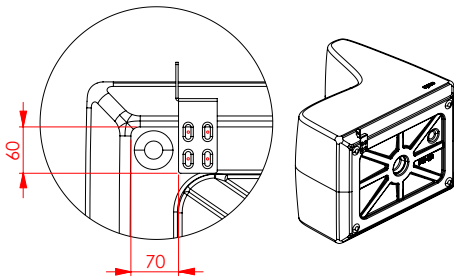
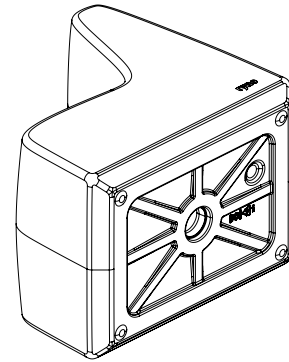
REQUIRED ITEMS

- 2 x Bracket A
- 2 x Bracket B
- 16 x M6 Threaded Hex Drive Insert Fixing
- 16 x M6 x 20 Countersunk Security Bolt
- Power Drill
- Hex Magnetic Bit Holder
- Hex Magnetic Bit Extention (300mm+)
- TX30 Magnetic Screwdriver Bit
- TX45 magnetic Screwdriver bit
- 3mm Dowel Drill Bit
- 7.5mm Dowel Drill Bit

RYNO[®] MODULAR → LINKING BRACKET PART 1

01

Turn the left-hand Ryno Modular section 90 degrees, so that it is lying on its flat side.

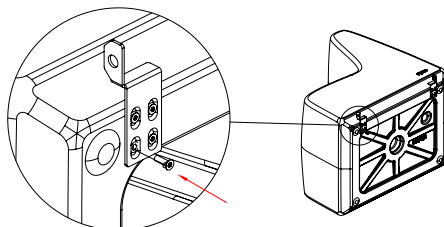
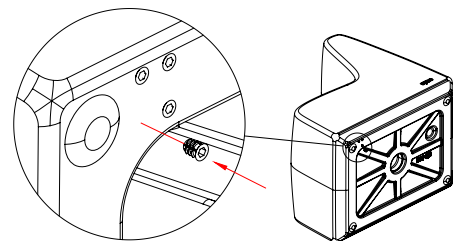


Using **Bracket A**, measure and mark out the fixings points. Ensure that the marked points sit centrally within each of the x4 slots.

02

03

Using a drill, drill pilot holes into the x4 marked-out points. Insert a **M6 threaded hex drive insert fixing** into the x4 points, ensuring that the inserts are flush with the rotomolded surface.



Using **M6 security bolts**, secure **Bracket A** to the underside of the ryno modular. Ensure that the countersunk head sits centrally within each of the bracket slots.

04

T
E

800.496.9324

inquiries@pineapplecontracts.com

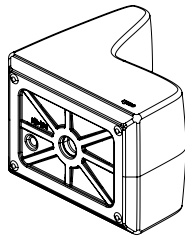
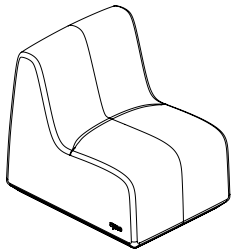
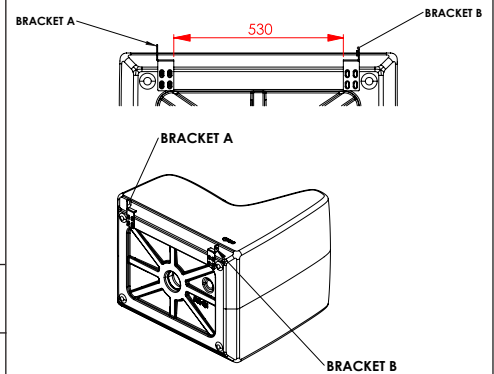
Pineapple

RYNO[®] MODULAR → LINKING BRACKET PART 1

05

Using **Bracket B**, measure and mark out the fixings points. Ensure that the marked points sit centrally within each of the x4 slots.

Repeat steps 2-4 to install **Bracket B**.

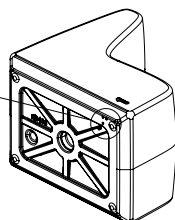
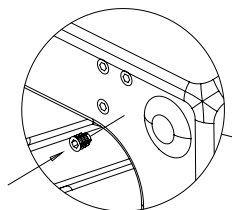
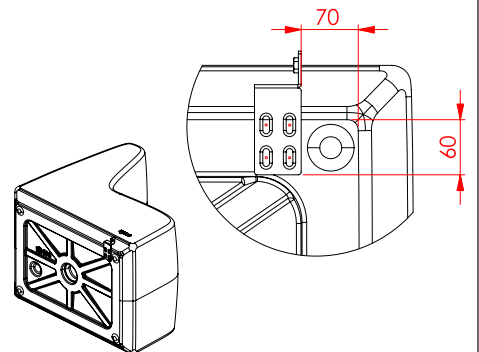


Turn the right-hand Ryno modular section 90 degrees, so that it is lying on its flat side.

06

07

Using **Bracket B**, measure and mark out the fixings points. Ensure that the marked points sit centrally within each of the x4 slots



Using a drill, drill pilot holes into the x4 marked-out points. Insert a 6 threaded hex drive insert fixing into the x4 points, ensuring that the inserts are flush with the rotomolded surface.

08

T
E

800.496.9324

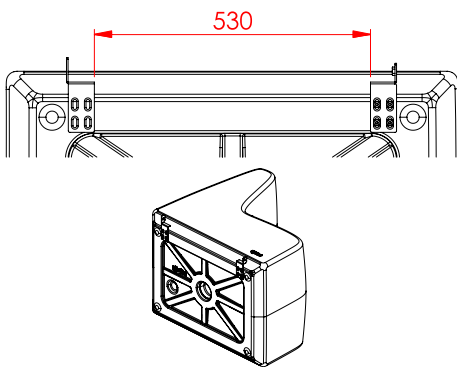
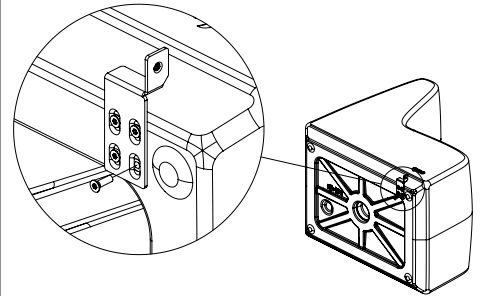
inquiries@pineapplecontracts.com

Pineapple

RYNO[®] MODULAR → LINKING BRACKET PART 1

09

Using **M6 security bolts**, secure **Bracket B** to the underside of the ryno modular. Ensure that the countersunk head sits centrally within each of the bracket slots.



Using **Bracket A**, measure and mark out the fixings points. Ensure that the marked points sit centrally within each of the x4 slots.

Repeat steps 7-9 to install **Bracket A**.

10

DISCLAIMER

	<ul style="list-style-type: none">→ Ensure the proper and adequate hardware is used to secure furniture→ Ensure fixings are appropriate for the anchoring material→ Use fixings of an appropriate strength and consider using security fixings in challenging environments→ Consider using high strength thread-locker on fixings in challenging environments→ Ensure all gaps are sealed with the appropriate anti-pick caulk after product installation if necessary→ Please read all instructions carefully to ensure proper installation. Failure to read and follow instructions may result in inadequate product installation and void of warranty→ Pineapple shall not be held liable for any consequences caused by the improper installation of products to the installer or the end user