

# RYNO<sup>®</sup> MODULAR → LINKING BRACKET PART 2



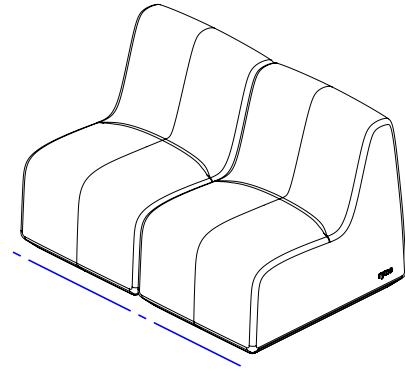
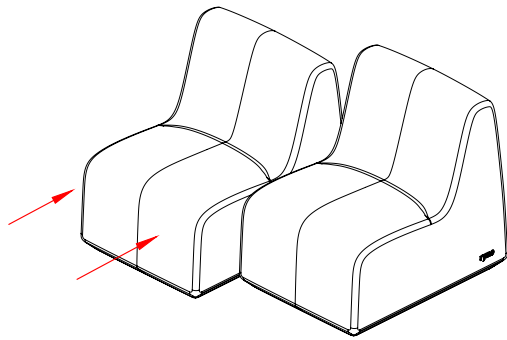
## REQUIRED ITEMS

- 2 x M10 Washer
- 2 x M10 x 20 Security Bolt
- Power Drill
- Hex Magnetic Bit Holder
- Hex Magnetic Bit Extention (300mm+)
- TX30 MagneticScrewdriver Bit
- TX45 magnetic Screwdriver bit
- 3mm Dowel Drill Bit
- 7.5mm Dowel Drill Bit


T 800.496.9324  
E inquiries@pineapplecontracts.com

**Pineapple**

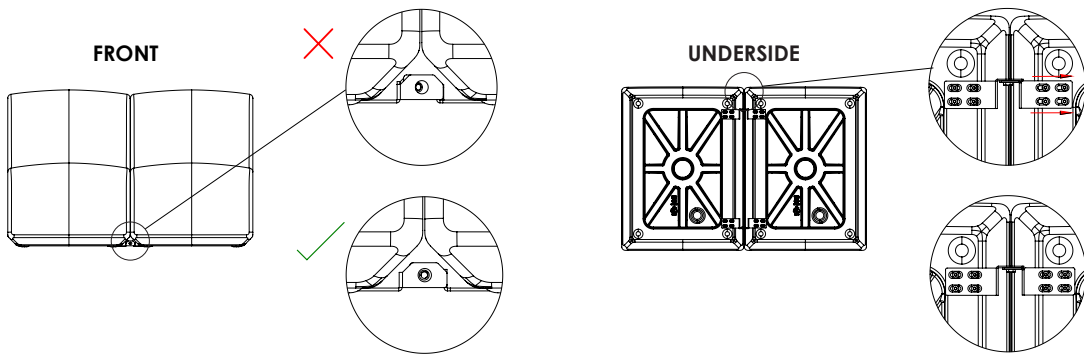
# RYNO<sup>®</sup> MODULAR → LINKING BRACKET PART 2



## 01

Note: If you wish to link multiple Ryno modular sections together, refer to Instruction Manual Part 1 and repeat Steps 1-10 for each additional module before continuing.

With all of the brackets installed, butt the left and right modular sections up against one another and push the left-hand modular section backward until the brackets connect. The fronts of the modules should sit in line with one another.

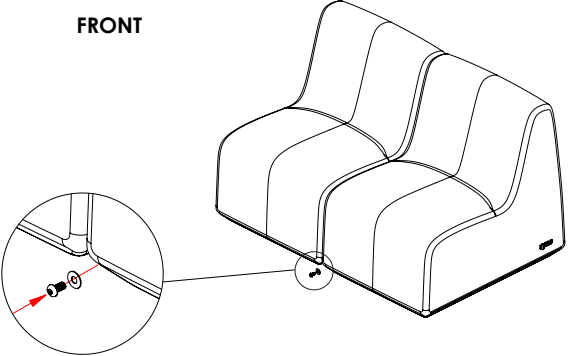
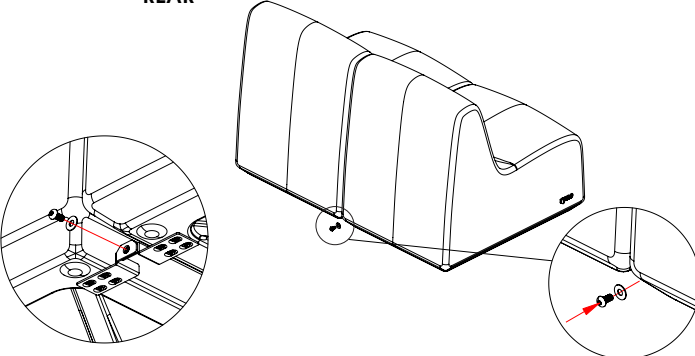


Note: If the securing holes on the brackets are misaligned, unscrew the x4 M6 security bolts that are holding the misaligned bracket in place until the bracket becomes adjustable.

Adjust the bracket to the appropriate position using the oval fixing slots. Once the bracket is in the correct position, re-secure it using the x4 M6 security bolts, ensuring that they are not overtightened.

## 02

# RYNO<sup>®</sup> MODULAR → LINKING BRACKET PART 2

<p><b>FRONT</b></p> 	<p><b>REAR</b></p> 
<p><b>03</b></p>	<p>Using a long reach magnetic bit holder drill extension on your drill, fix the provided M10 security bolt and washer into the two front and rear brackets so that they are securely connected. Ensure that the screws are not overtightened. If you wish to join multiple modular sections together, repeat this step as many times as necessary.</p>

# DISCLAIMER

	<ul style="list-style-type: none"><li>→ Ensure the proper and adequate hardware is used to secure furniture</li><li>→ Ensure fixings are appropriate for the anchoring material</li><li>→ Use fixings of an appropriate strength and consider using security fixings in challenging environments</li><li>→ Consider using high strength thread-locker on fixings in challenging environments</li><li>→ Ensure all gaps are sealed with the appropriate anti-pick caulk after product installation if necessary</li><li>→ Please read all instructions carefully to ensure proper installation. Failure to read and follow instructions may result in inadequate product installation and void of warranty</li><li>→ Pineapple shall not be held liable for any consequences caused by the improper installation of products to the installer or the end user</li></ul>