



KEY FEATURES

- Versatile modular design helps you make the most of your space
- Promotes social inclusion
- One-piece design makes products water-resistant and prevents concealment of contraband
- Reduced-ligature design features
- Polyethylene material is 100% recyclable
- 100% waterproof construction with hygienic wipe-clean surface
- Suitable for outdoor use
- Made using 40% recycled content
- Static load tested to a weight of 1100lbs.



MATERIAL/FABRICATION

Rotationally molded, durable polyethylene, one-piece construction provides excellent strength and stability. Flamed, textured finish further strengthens the fire-retardant, water-resistant, UV-stabilized shell. Anti-microbial material gives high chemical resistance (e.g. ammonia, sodium hydroxide) throughout the product. Item is fully recyclable as polyethylene can be melted down to create a whole new product.

TEST STANDARDS

- Fire retardant to CAL 133, UL 94 HB and DIN 66084
- UV resistance tested to UV 21+ stating it can withstand 21,000 sunlight hours
- Strength and stability tested for severe contract use (BS EN 16139:2013 Level 2)
- Tested to ANSI/BIFMA X5:5:2012 standards
- Antibacterial Activity MOD ISO 22196: 2011
- Ryno ISO 11925 (2020)
- Static load tested to a weight of 1100lbs

OPTIONS

- More products available in Ryno Modular range
- Linking bracket available
- Not available to be floor fixed
- No upholstered seat pad options available
- Weighted 136.7lb option available (1RYM-662)

COLOR/FINISH



RYNO® MODULAR CURVED CHAIR (NARROW FRONT)

ASSEMBLY

Arrives assembled and ready to use.

INSTALLATION/FITTING

Not available to be wall or floor fixed.

MAINTENANCE

Avoid using abrasive materials or cleaning agents, solvents, steam cleaning or jet washing. Use bleach and chlorine disinfectant with caution and avoid placing in close proximity to sources of heat. Read more on our website.

WARRANTY

Lifetime guarantee against all manufacturing faults.

DISCLAIMER

Extreme temperature changes (e.g. a cold night followed by a warm sunny day) may cause air inside the product to expand, causing short-term changes to its shape

Due to the nature of the rotational molding process, flat surfaces on Ryno® products may feature slight undulations which do not detract from the product's strength or durability.

T

800.496.9324

E

inquiries@pineapplecontracts.com

W

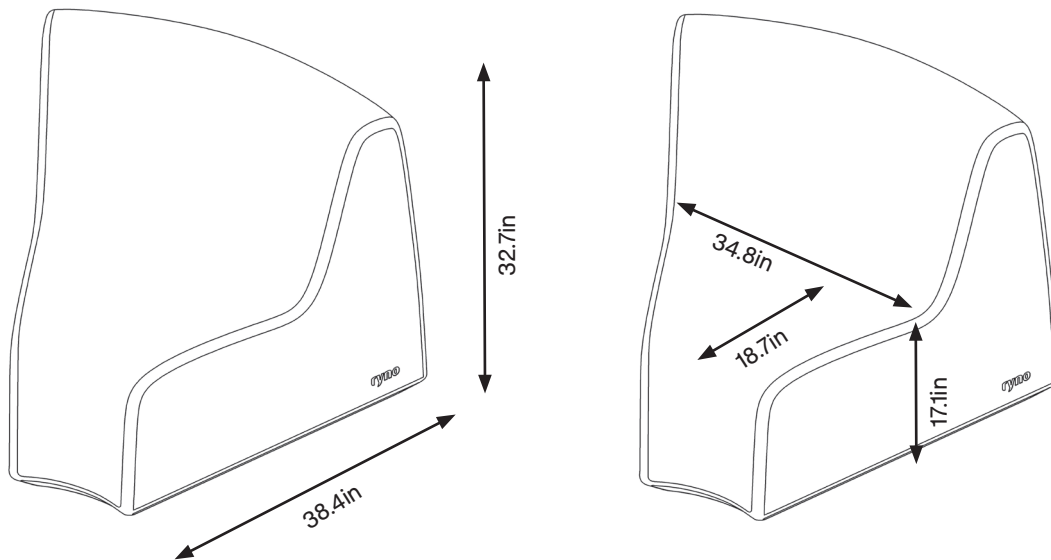
us.pineapplecontracts.com

Pineapple

RYNO[®] MODULAR CURVED CHAIR (NARROW FRONT)

1RYM-600
32.7H | 34.8W | 38.4D (in)
Seat height: 17.1in
Seat depth: 18.7in
Standard weight: 39.7lb

1RYM-662
Weighted option: 136.7lb



T
E
W

800.496.9324
inquiries@pineapplecontracts.com
us.pineapplecontracts.com

Pineapple